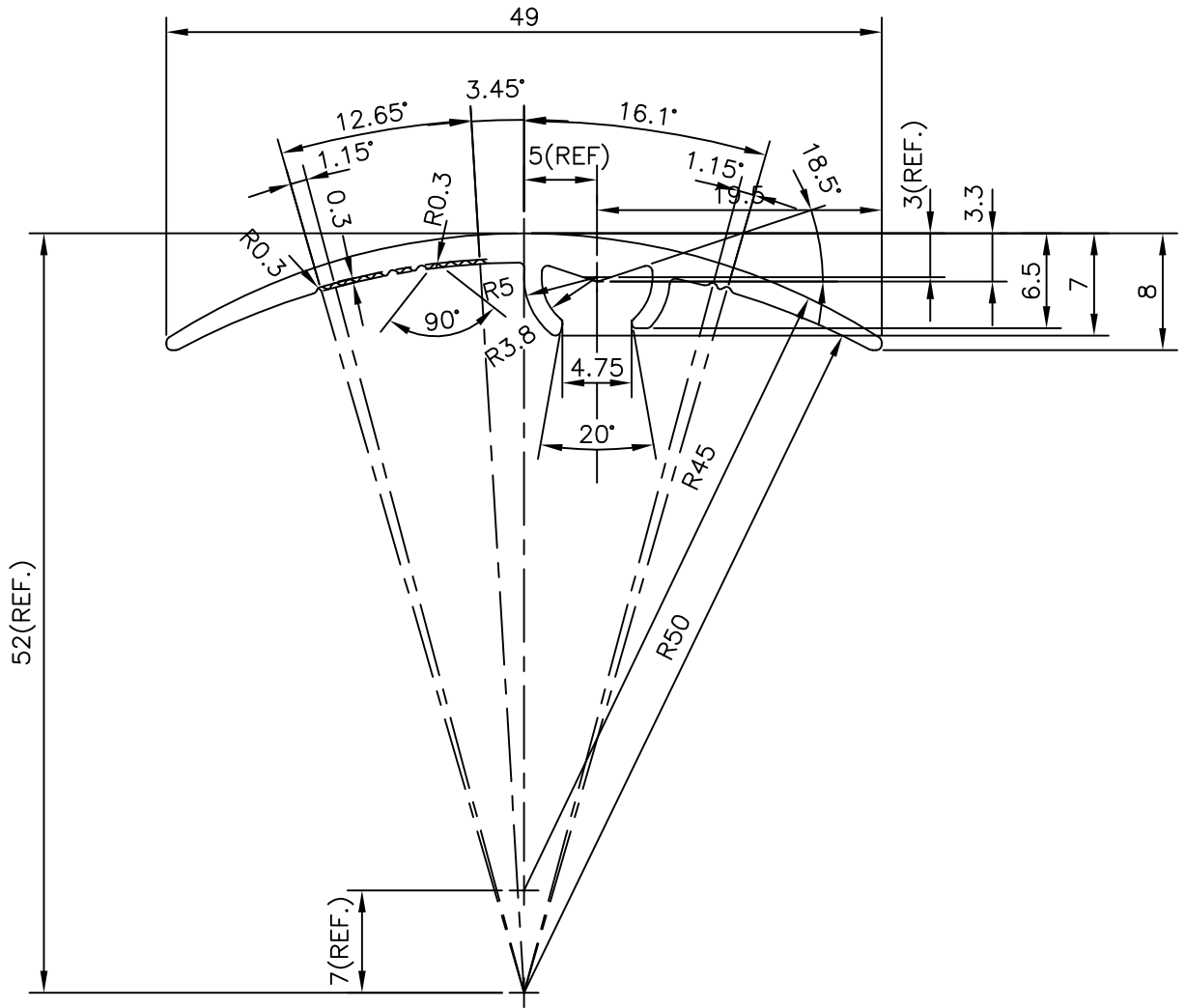


P-10793

E0140



SYMBOL OF QUALITY
AN ISO 9001 COMPANY

JINDAL ALUMINIUM LTD.
BANGALORE-560073 (INDIA)

	NAME	DATE
DRAWN	J.P.KAUSHIK	25-02-2011
CHECKED		
APPROVED	S.S.GARG	31-01-2014
SCALE		2:1
AREA mm ²		97.06
PERIMETER mm.		124.691
WEIGHT kg/m		0.262
DRAWING No.	SECTION No.	
P-10793	-	
E0140	E0140	

1. ALL DIMENSIONS ARE IN mm.
2. ROUND OFF ALL SHARP CORNERS WITH 0.40 mm.
3. TOLERANCES WILL BE AS PER IS:3965-1981 UNLESS OTHERWISE SPECIFIED

PARTY'S NAME	SURFACES., BANGALORE
PARTY'S DRAWING No.	AS PERSAMPLE
ALLOY & TEMPER	HE9 WP
DESCRIPTION	FURNITURE SECTION