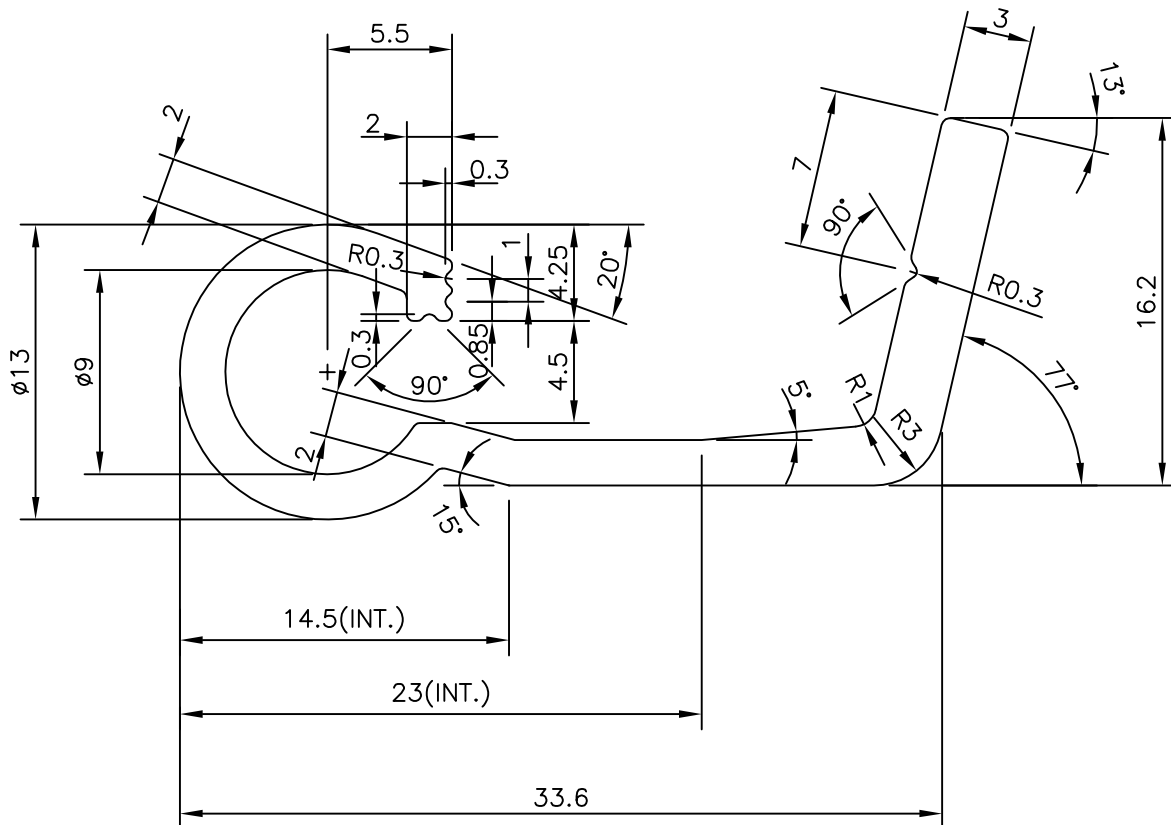
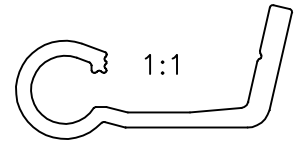


P-13397

E0142



SYMBOL OF QUALITY
AN ISO 9001 COMPANY

JINDAL ALUMINIUM LTD.
BANGALORE-560073 (INDIA)

	NAME	DATE
DRAWN	J.P.KAUSHIK	01-02-2014
CHECKED		
APPROVED	J.N. RAI	04-03-2014
SCALE		3:1
AREA	mm ²	146.474
PERIMETER	mm.	134.267
WEIGHT	kg/m	0.395
DRAWING No.	SECTION No.	
P-13397	-	
E0142	E0142	

1. ALL DIMENSIONS ARE IN mm.
2. ROUND OFF ALL SHARP CORNERS WITH 0.30 mm.
3. TOLERANCES WILL BE AS PER BS:EN-755-9, UNLESS OTHERWISE SPECIFIED

PARTY'S NAME	COSIGN INDIA PVT. LTD., PUNE
PARTY'S DRAWING No.	35699
ALLOY & TEMPER	6060 T6
DESCRIPTION	MISC. SECTION