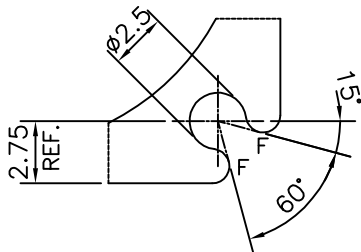
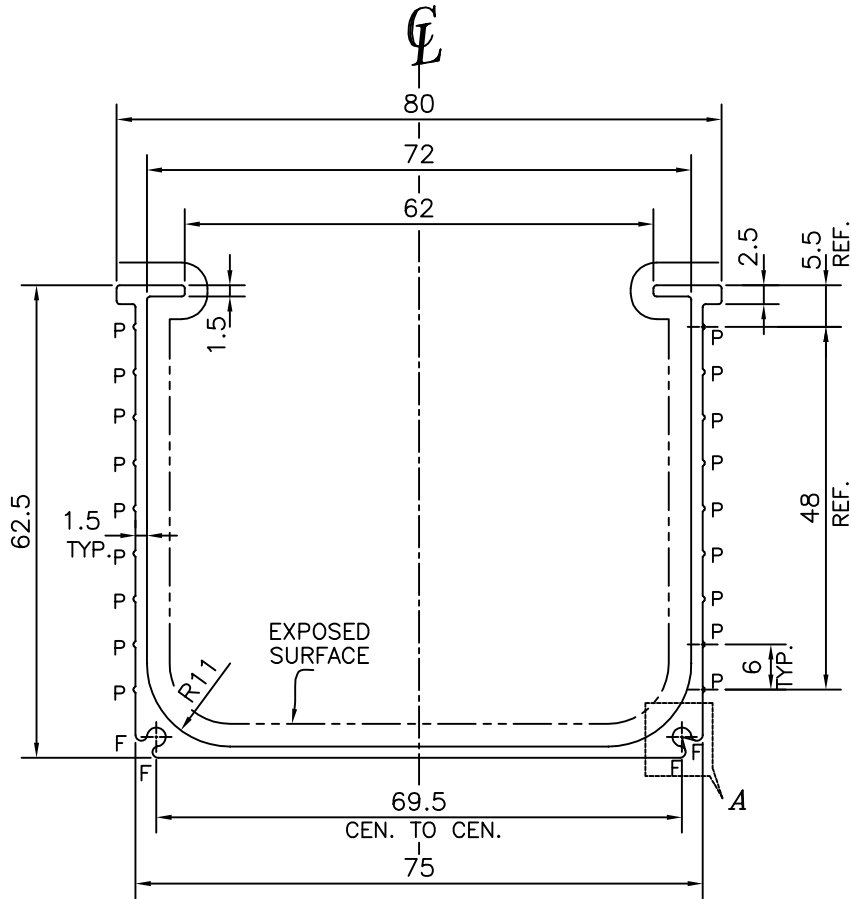


P-13447

E0144




DETAIL OF "A"
SCALE 3:1

F = FULL RADIUS (4 PLACES)
P = PIP 0.3x90° (18 PLACES)

TOLERANCES ON OVERALL WIDTHS & WIDTHS ACROSS FLATS OF BARS, & REGULAR SECTIONS

UPTO 6.40mm - ±0.20	UPTO 32.0mm - ±0.38	UPTO 120.0mm - ±0.85	1. STRAIGHTNESS=1.7mm/M 2. TWIST=1.7mm/M 3. ANGULARITY= ±2° 4. FLATNESS =0.007xWIDTH
UPTO 10.0mm - ±0.23	UPTO 50.0mm - ±0.46	UPTO 160.0mm - ±1.02	
UPTO 12.0mm - ±0.25	UPTO 60.0mm - ±0.53	UPTO 200.0mm - ±1.14	
UPTO 16.0mm - ±0.28	UPTO 80.0mm - ±0.69	UPTO 250.0mm - ±1.40	
UPTO 25.0mm - ±0.30	UPTO 100.0mm - ±0.75	UPTO 300.0mm - ±1.65	

 SYMBOL OF QUALITY AN ISO 9001 COMPANY	JINDAL ALUMINIUM LTD. BANGALORE-560073 (INDIA)	DRAWN	NAME	DATE	
		CHECKED	PARVESH	04-03-2014	
1. ALL DIMENSIONS ARE IN mm. 2. ROUND OFF ALL SHARP CORNERS WITH 0.40 mm. 3. TOLERANCES WILL BE AS PER IS:3965-1981 , UNLESS OTHERWISE SPECIFIED		APPROVED	S.S.GARG	24-03-2014	
		SCALE		1:1	
PARTY'S NAME		SURFACES, BANGALORE		AREA mm ²	357.297
		PARTY'S DRAWING No.		AS PER DRAWING	PERIMETER mm.
ALLOY & TEMPER		HE9 WP		WEIGHT kg/m	0.965
		DESCRIPTION		ARCHITECTURAL SECTION	DRAWING No.
				P-13447	-
				E0144	E0144