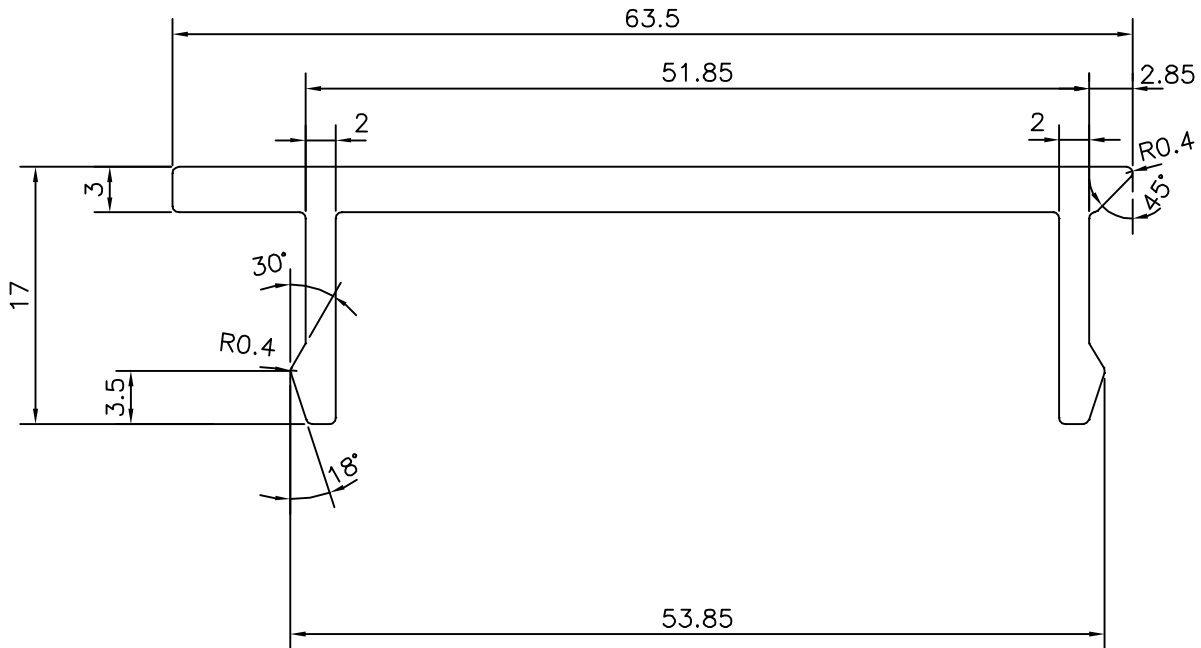
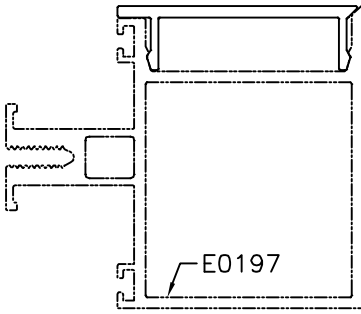
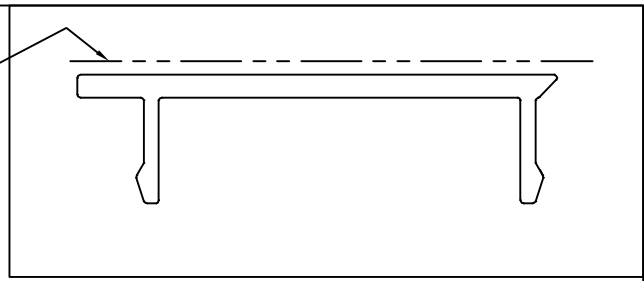


P-14228

E0195

EXPOSED SURFACE



SYMBOL OF QUALITY
AN ISO 9001 COMPANY

JINDAL ALUMINIUM LTD.
BANGALORE-560073 (INDIA)

	NAME	DATE
DRAWN	J.P.KAUSHIK	05-12-2014
CHECKED		
APPROVED	S.S.GARG	15-12-2014
SCALE		2:1
AREA mm ²		248.573
PERIMETER mm.		186.488
WEIGHT kg/m		0.671
DRAWING No.	SECTION No.	
P-14228	-	
E0195	E0195	

1. ALL DIMENSIONS ARE IN mm.
2. ROUND OFF ALL SHARP CORNERS WITH 0.40 mm.
3. TOLERANCES WILL BE AS PER IS:3965-1981 UNLESS OTHERWISE SPECIFIED

PARTY'S NAME	ALUFIT (INDIA) PVT. LTD., BANGALORE
PARTY'S DRAWING No.	BS-08 & AutoCAD DRAWING
ALLOY & TEMPER	6063 T6
DESCRIPTION	CLIP SECTION