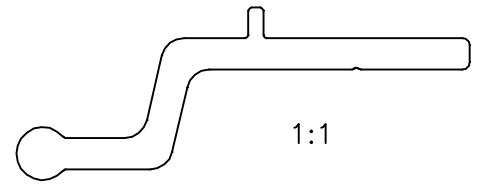
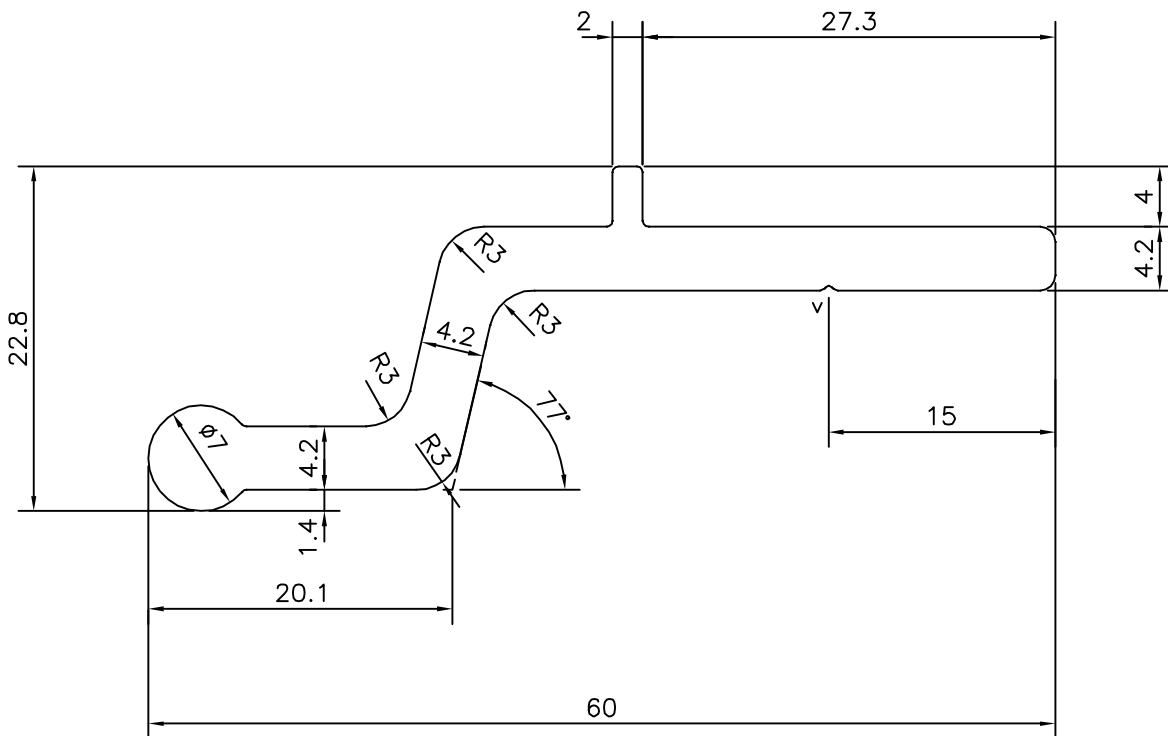


P-14178

E0205



1:1



V = V GROOVE 0.3x90°



SYMBOL OF QUALITY
AN ISO 9001 COMPANY

JINDAL ALUMINIUM LTD.
BANGALORE-560073 (INDIA)

	NAME	DATE
DRAWN	J.P.KAUSHIK	01-12-2014
CHECKED		
APPROVED	S.S.GARG	16-12-2014
SCALE		2:1
AREA mm ²		313.534
PERIMETER mm.		153.713
WEIGHT kg/m		0.847
DRAWING No.	SECTION No.	
P-14178	-	
E0205	E0205	

1. ALL DIMENSIONS ARE IN mm.
2. ROUND OFF ALL SHARP CORNERS WITH 0.40 mm.
3. TOLERANCES WILL BE AS PER IS:3965-1981 UNLESS OTHERWISE SPECIFIED

PARTY'S NAME	ALUFIT (INDIA) PVT. LTD., BANGALORE
PARTY'S DRAWING No.	GD-12 & AutoCAD DRAWING
ALLOY & TEMPER	6005 T6
DESCRIPTION	BEAK HOLDING BKT.