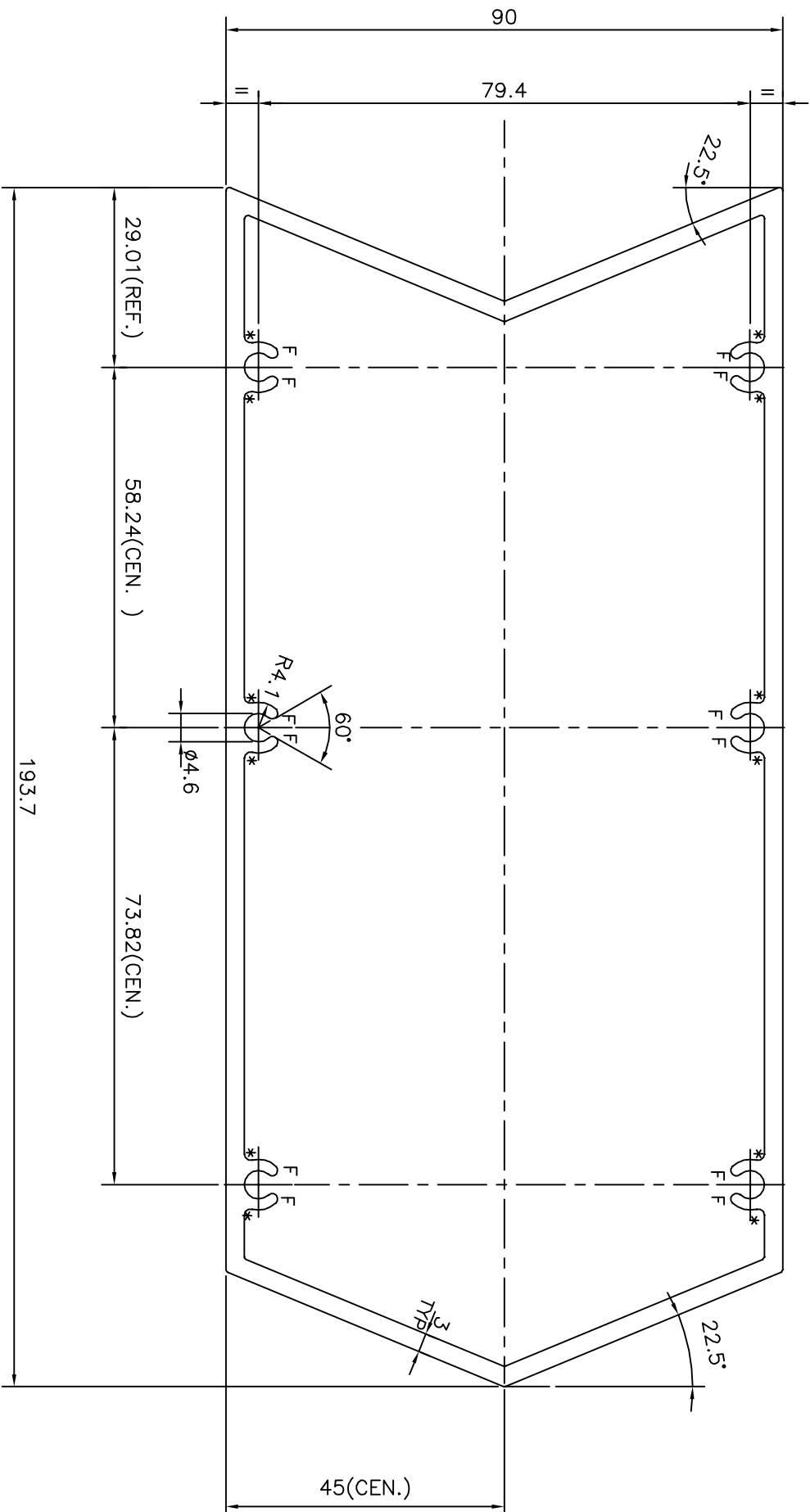



P-14193

E0220



F = FULL RADIUS (12 PLACES)
 * = RADIUS 1.0 (12 PLACES)

 SYMBOL OF QUALITY AN ISO 9001 COMPANY		JINDAL ALUMINIUM LTD. BANGALORE-560073 (INDIA)		
1. ALL DIMENSIONS ARE IN mm. 2. ROUND OFF ALL SHARP CORNERS WITH 0.40 mm. 3. TOLERANCES WILL BE AS PER IS:6477-1983 UNLESS OTHERWISE SPECIFIED		SCALE	1:1	
PARTY'S NAME		ALUFIT (INDIA) PVT. LTD., BANGALORE	AREA mm ²	1728.481
PARTY'S DRAWING No.		GD-31 & AutocAD DRAWING	PERIMETER mm.	544.299
ALLOY & TEMPER		6063 T6	WEIGHT kg/m	4.667
DESCRIPTION		135°COR. MULLION	DRAWING No.	SECTION No.
			P-14193	-
			E0220	E0220