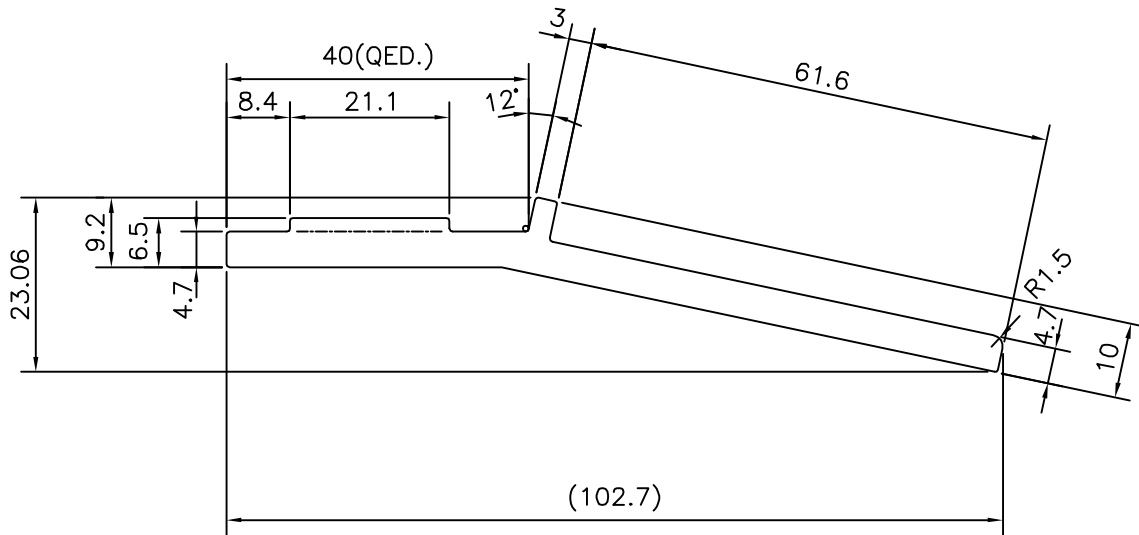


P-14195

E0222



SYMBOL OF QUALITY  
AN ISO 9001 COMPANY

**JINDAL ALUMINIUM LTD.**  
BANGALORE-560073 (INDIA)

	NAME	DATE
DRAWN	J.P.KAUSHIK	04-12-2014
CHECKED		
APPROVED	S.S.GARG	16-12-2014
SCALE		1:1
AREA mm <sup>2</sup>		542.827
PERIMETER mm.		228.507
WEIGHT kg/m		1.466
DRAWING No.	SECTION No.	
P-14195	-	
E0222	E0222	

1. ALL DIMENSIONS ARE IN mm.
2. ROUND OFF ALL SHARP CORNERS WITH 0.40 mm.
3. TOLERANCES WILL BE AS PER IS:3965-1981 UNLESS OTHERWISE SPECIFIED

PARTY'S NAME ALUFIT (INDIA) PVT. LTD., BANGALORE

PARTY'S DRAWING No. GD-37 & AutoCAD DRAWING

ALLOY & TEMPER 6063 T6

DESCRIPTION SUNSHADE BKT. (TYP.BEAK-SASH)