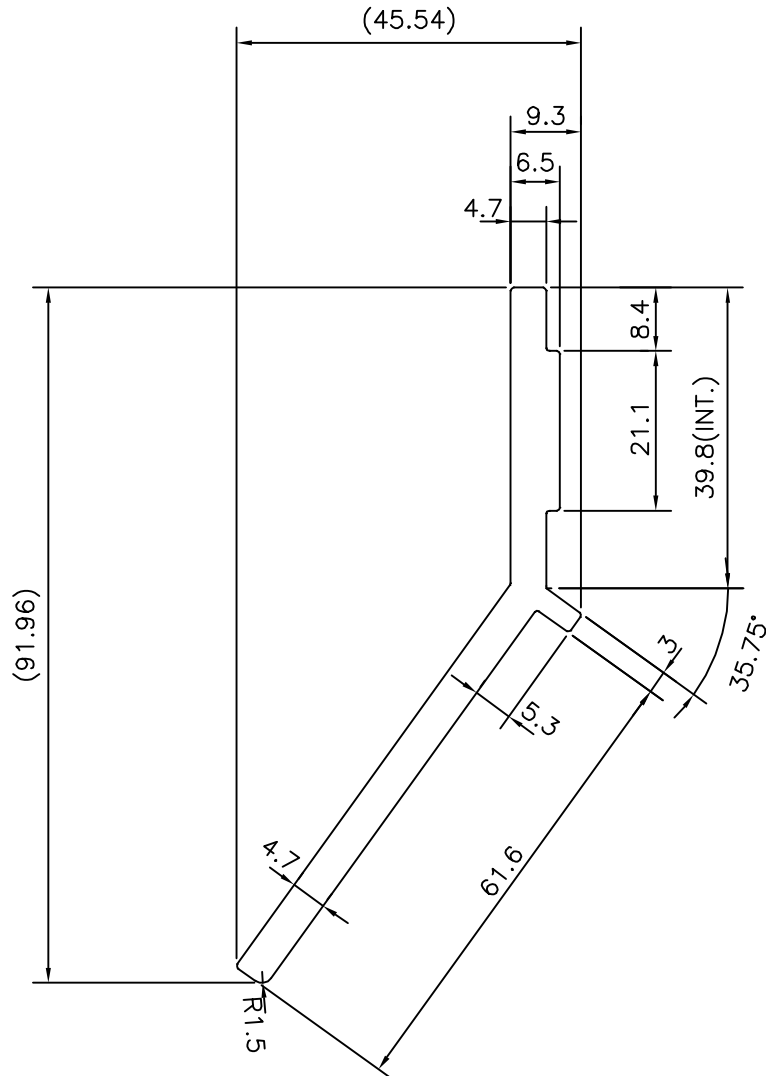


P-14197

E0224



SYMBOL OF QUALITY
AN ISO 9001 COMPANY

JINDAL ALUMINIUM LTD.
BANGALORE-560073 (INDIA)

	NAME	DATE
DRAWN	J.P.KAUSHIK	04-12-2014
CHECKED		
APPROVED	S.S.GARG	16-12-2014

1. ALL DIMENSIONS ARE IN mm.
2. ROUND OFF ALL SHARP CORNERS WITH 0.40 mm.
3. TOLERANCES WILL BE AS PER IS:3965-1981 UNLESS OTHERWISE SPECIFIED

SCALE	1:1
AREA mm ²	537.891
PERIMETER mm.	227.744
WEIGHT kg/m	1.452

PARTY'S NAME ALUFIT (INDIA) PVT. LTD., BANGALORE

PARTY'S DRAWING No. GD-39 & AutoCAD DRAWING

ALLOY & TEMPER 6063 T6

DESCRIPTION SUNSHADEBKT. (135° BEAK-SASH)

DRAWING No.	SECTION No.
P-14197	-
E0224	E0224