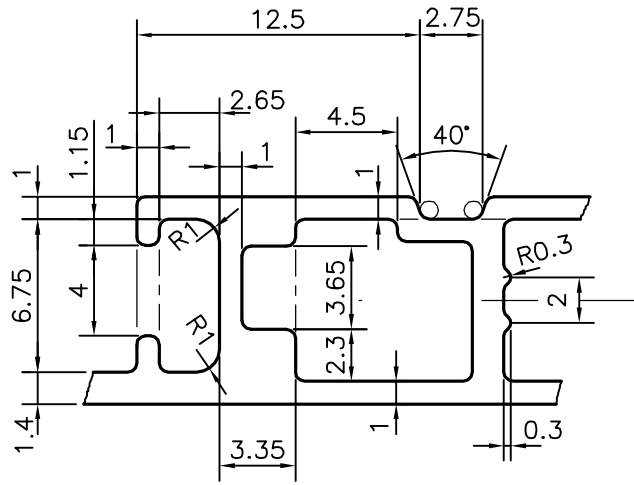
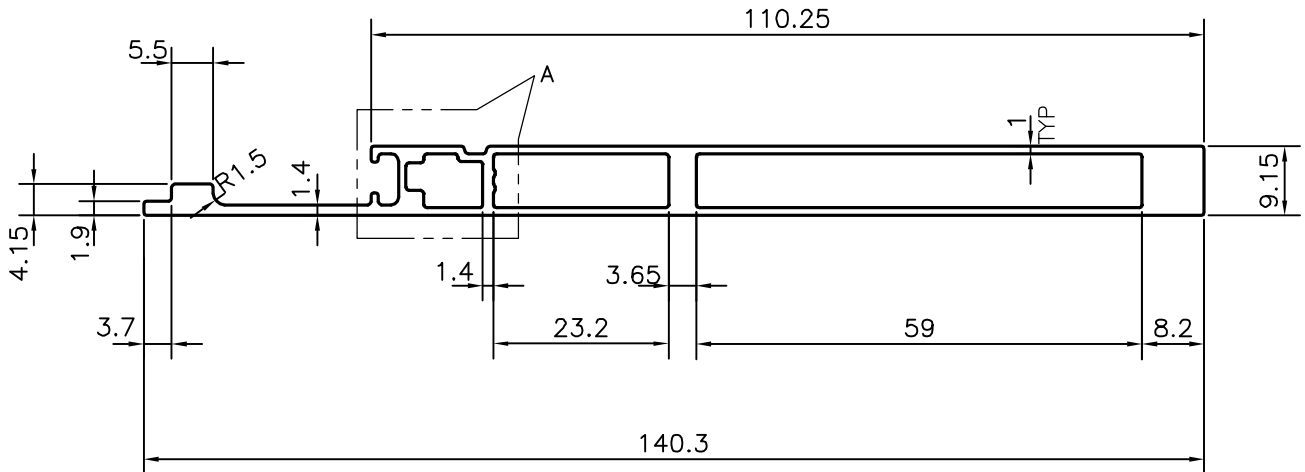


P-14828

E0336



DETAIL "A"  
SCALE 3:1



SYMBOL OF QUALITY  
AN ISO 9002 COMPANY

**JINDAL ALUMINIUM LTD.**  
BANGALORE-560073 (INDIA)

	NAME	DATE
DRAWN	J.P.KAUSHIK	02-07-2015
CHECKED		
APPROVED	B.NATARAJA	18-07-2015

1. ALL DIMENSIONS ARE IN mm.
2. ROUND OFF ALL SHARP CORNERS WITH 0.40 mm.
3. TOLERANCES WILL BE AS PER,IS:6477-1983 UNLESS OTHERWISE SPECIFIED

SCALE	1:1
AREA mm <sup>2</sup>	395.702
PERIMETER mm.	314.237
WEIGHT kg/m	1.068

PARTY'S NAME	YAMUNA ENTERPRISE, AHMEDABAD
PARTY'S DRAWING No.	AS PER SAMPLE
ALLOY & TEMPER	6063 T6
DESCRIPTION	TEXTILE SECTION

DRAWING No.	SECTION No.
P-14828	-
E0336	E0336