

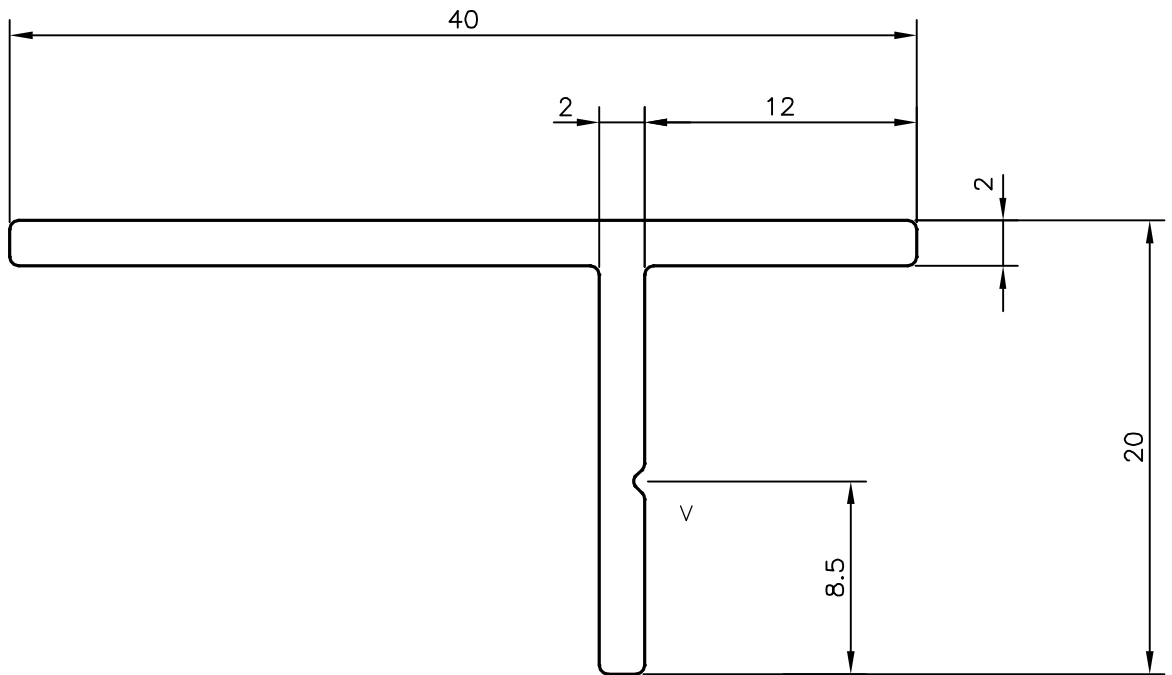
P-14938

E0345

EXPOSED SURFACE

1:1

E0339



OLD No:-AL-21

V = V GROOVE 0.5x90°



SYMBOL OF QUALITY
AN ISO 9001 COMPANY

JINDAL ALUMINIUM LTD.
BANGALORE-560073 (INDIA)

	NAME	DATE
DRAWN	J.P.KAUSHIK	28-07-2015
CHECKED		
APPROVED	S.S.GARG	12-08-2015
SCALE		3:1
AREA mm ²		115.485
PERIMETER mm.		118.981
WEIGHT kg/m		0.312
DRAWING No.	SECTION No.	
P-14938	-	
E0345	E0345	

1. ALL DIMENSIONS ARE IN mm.
2. ROUND OFF ALL SHARP CORNERS WITH 0.40 mm.
3. TOLERANCES WILL BE AS PER IS:3965-1981 , UNLESS OTHERWISE SPECIFIED

PARTY'S NAME	ALUFIT (INDIA) PRIVATE LIMITED, BANGALORE
PARTY'S DRAWING No.	AL-17
ALLOY & TEMPER	6063 T6
DESCRIPTION	CURTAIN WALL SECTION