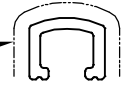
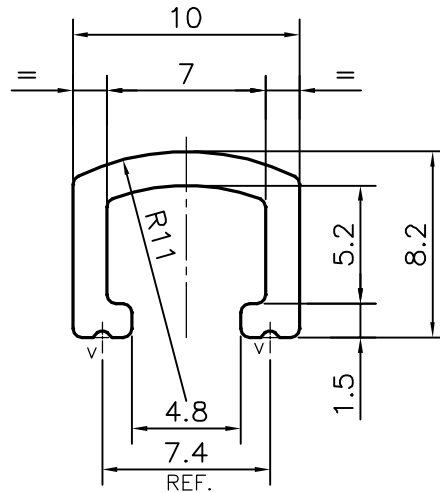


P-15016

E0371

EXPOSED  
SURFACE

SCALE:- 1:1



V = VEE GROOVE 0.3x90° (2 PLACES)

## TOLERANCES ON OVERALL WIDTHS &amp; WIDTHS ACROSS FLATS OF BARS, &amp; REGULAR SECTIONS

UPTO 6.40mm - ±0.20	UPTO 32.0mm - ±0.38	UPTO 120.0mm - ±0.85	1. STRAIGHTNESS=1.7mm/M 2. TWIST=1.7mm/M 3. ANGULARITY= ±2° 4. FLATNESS =0.007xWIDTH
UPTO 10.0mm - ±0.23	UPTO 50.0mm - ±0.46	UPTO 160.0mm - ±1.02	
UPTO 12.0mm - ±0.25	UPTO 60.0mm - ±0.53	UPTO 200.0mm - ±1.14	
UPTO 16.0mm - ±0.28	UPTO 80.0mm - ±0.69	UPTO 250.0mm - ±1.40	
UPTO 25.0mm - ±0.30	UPTO 100.0mm - ±0.75	UPTO 300.0mm - ±1.65	

SYMBOL OF QUALITY  
AN ISO 9001 COMPANY**JINDAL ALUMINIUM LTD.**  
BANGALORE-560073 (INDIA)

	NAME	DATE
DRAWN	PARVESH	17-08-2015
CHECKED		
APPROVED	S.S.GARG	21-08-2015

1. ALL DIMENSIONS ARE IN mm.
2. ROUND OFF ALL SHARP CORNERS WITH 0.40 mm.
3. TOLERANCES WILL BE AS PER IS:3965-1981 , UNLESS OTHERWISE SPECIFIED

SCALE	3:1
AREA mm <sup>2</sup>	35.57
PERIMETER mm.	49.839
WEIGHT kg/m	0.096

PARTY'S NAME	SURFACES, BANGALORE	DRAWING No.	P-15016	SECTION No.	-
PARTY'S DRAWING No.	AS PER SAMPLE & REQUIREMENT		E0371		E0371
ALLOY & TEMPER	HE9 WP				
DESCRIPTION	FURNITURE SECTION				