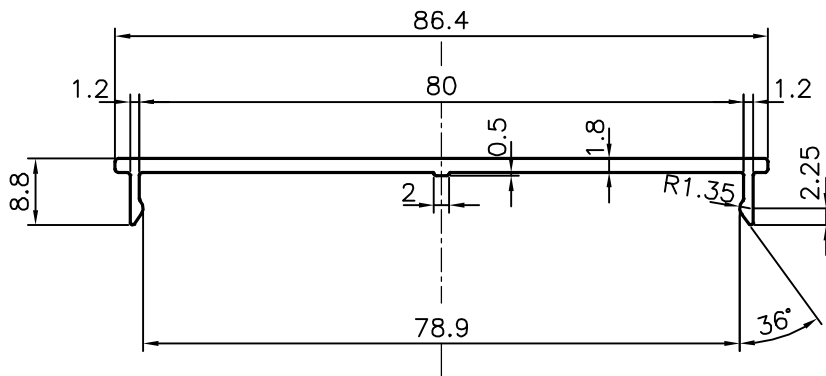
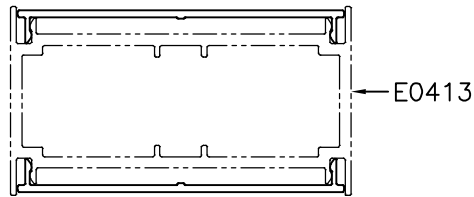


P-15337

E0414



SYMBOL OF QUALITY
AN ISO 9001 COMPANY

JINDAL ALUMINIUM LTD.
BANGALORE-560073 (INDIA)

	NAME	DATE
DRAWN	J.P.KAUSHIK	21-11-2015
CHECKED		
APPROVED	S.S.GARG	25-12-2015
SCALE		1:1
AREA mm ²		174.154
PERIMETER mm.		202.877
WEIGHT kg/m		0.470
DRAWING No.	SECTION No.	
P-15337	-	
E0414	E0414	

1. ALL DIMENSIONS ARE IN mm.
2. ROUND OFF ALL SHARP CORNERS WITH 0.40 mm.
3. TOLERANCES WILL BE AS PER IS:3965-1981 , UNLESS OTHERWISE SPECIFIED

PARTY'S NAME	ALUFIT (INDIA) PRIVATE LIMITED, BANGALORE
PARTY'S DRAWING No.	GDR-R-02
ALLOY & TEMPER	6063 T6
DESCRIPTION	MULLION SNAP ON