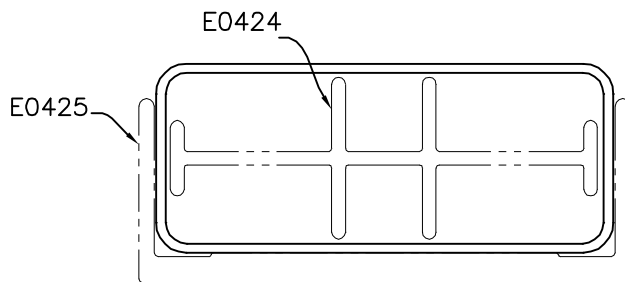
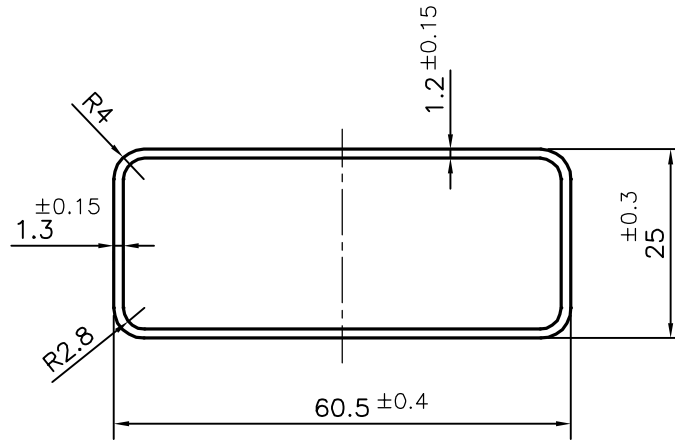


P-15485

E0423



SYMBOL OF QUALITY  
AN ISO 9001 COMPANY

**JINDAL ALUMINIUM LTD.**  
BANGALORE-560073 (INDIA)

	NAME	DATE
DRAWN	PARVESH	05-01-2016
CHECKED		
APPROVED	S.S.GARG	28-01-2016
SCALE		1:1
AREA mm <sup>2</sup>		196.955
PERIMETER mm.		164.133
WEIGHT kg/m		0.532
DRAWING No.	SECTION No.	
P-15485	-	
E0423	E0423	

1. ALL DIMENSIONS ARE IN mm.
2. ROUND OFF ALL SHARP CORNERS WITH 0.40 mm.
3. TOLERANCES WILL BE AS PER IS:6477-1983 , UNLESS OTHERWISE SPECIFIED

PARTY'S NAME	AGUERRI INDUSTRIES PVT. LTD., CHENNAI
PARTY'S DRAWING No.	06595
ALLOY & TEMPER	6063 T5
DESCRIPTION	MISC. TUBE SECTION