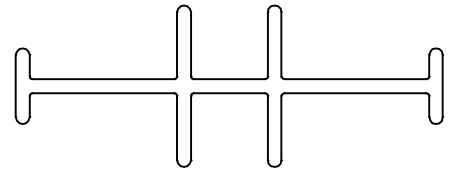
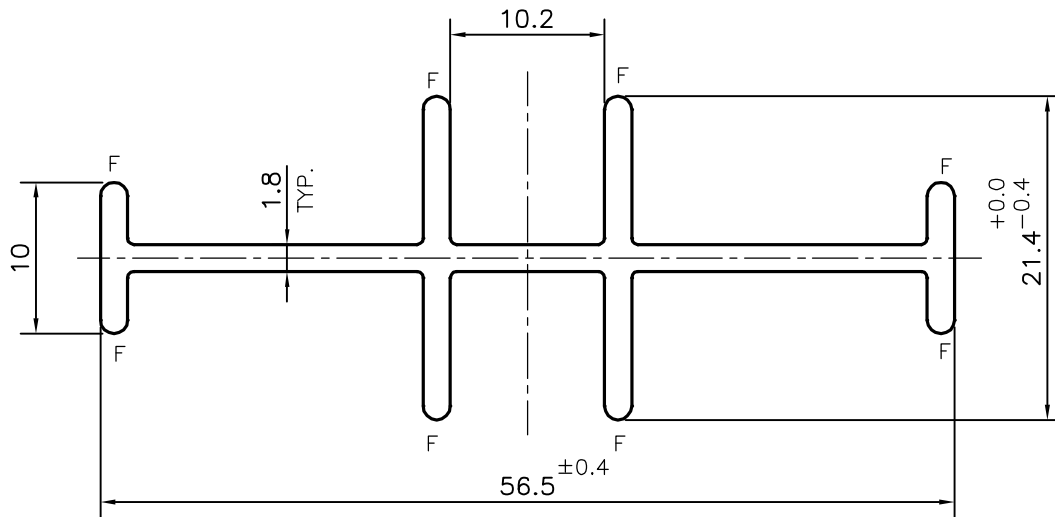


P-15486-1

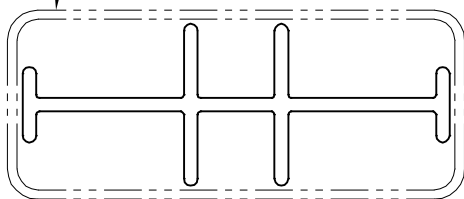
E0424



SCALE: - 1:1



E0423



F = FULL RADIUS (8 PLACES)



SYMBOL OF QUALITY
AN ISO 9001 COMPANY

JINDAL ALUMINIUM LTD.
BANGALORE-560073 (INDIA)

	NAME	DATE
DRAWN	PARVESH	07-01-2016
CHECKED		
APPROVED	S.S.GARG	28-01-2016
SCALE		2:1
AREA mm ²		199.411
PERIMETER mm.		219.559
WEIGHT kg/m		0.538
DRAWING No.	SECTION No.	
P-15486-1	-	
E0424	E0424	

1. ALL DIMENSIONS ARE IN mm.
2. ROUND OFF ALL SHARP CORNERS WITH 0.40 mm.
3. TOLERANCES WILL BE AS PER IS:3965-1981 , UNLESS OTHERWISE SPECIFIED

PARTY'S NAME	AGUERRI INDUSTRIES PVT. LTD., CHENNAI
PARTY'S DRAWING No.	06622
ALLOY & TEMPER	6063 T5
DESCRIPTION	LADDER SECTION