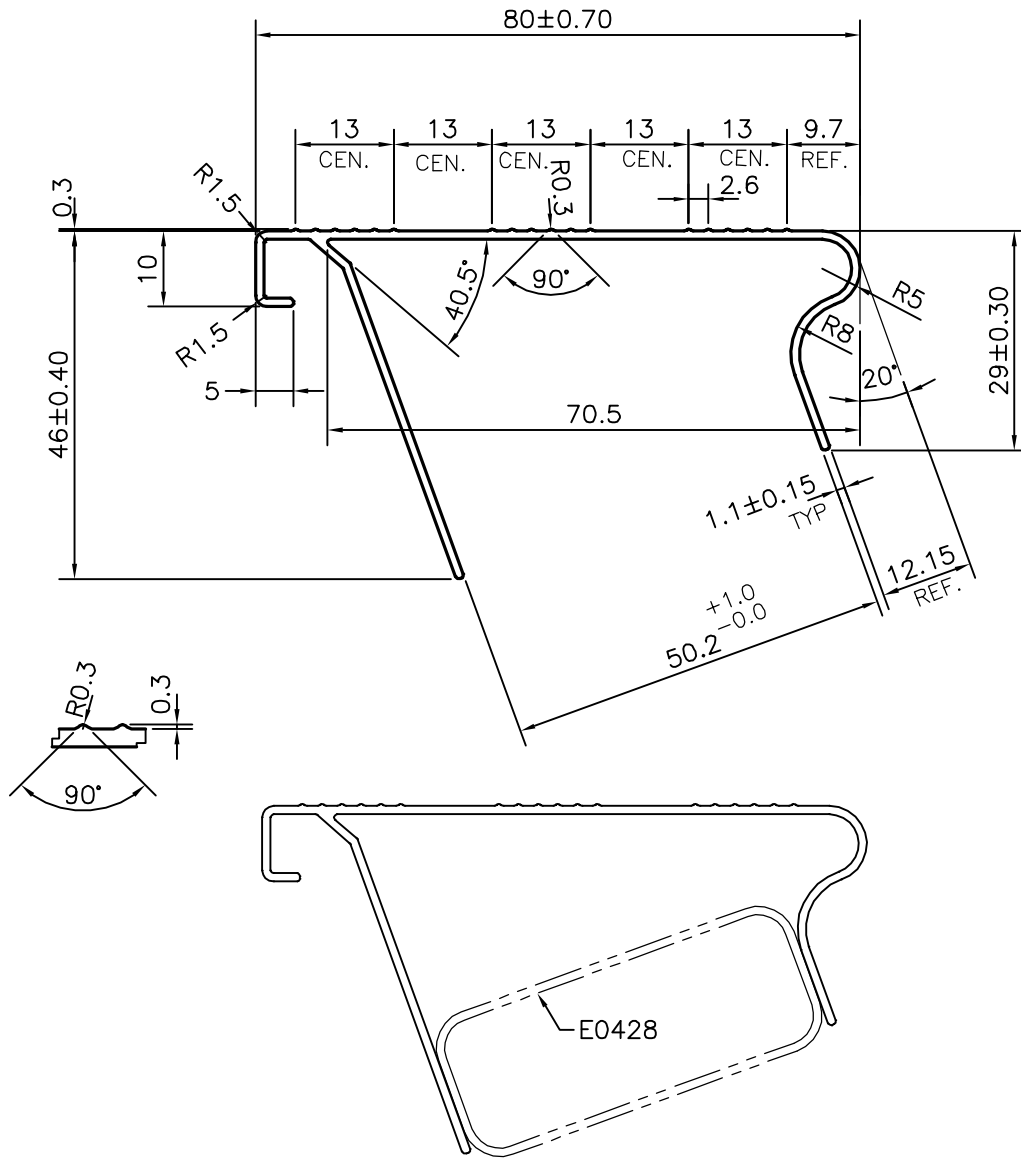


P-15520

E0431



SYMBOL OF QUALITY  
AN ISO 9001 COMPANY

**JINDAL ALUMINIUM LTD.**  
BANGALORE-560073 (INDIA)

	NAME	DATE
DRAWN	J.P.KAUSHIK	20-01-2016
CHECKED		
APPROVED		

1. ALL DIMENSIONS ARE IN mm.
2. ROUND OFF ALL SHARP CORNERS WITH 0.40 mm.
3. TOLERANCES WILL BE AS PER, IS:3965-1981 UNLESS OTHERWISE SPECIFIED

SCALE	1:1
AREA mm <sup>2</sup>	191.696
PERIMETER mm.	345.735
WEIGHT kg/m	0.518

PARTY'S NAME AGUERRI INDUSTRIES PVT. LTD., CHENNAI

DRAWING No. SECTION No.

PARTY'S DRAWING No. 04657

P-15520

E0431

E0431

ALLOY & TEMPER 6063 T5

DESCRIPTION PERFIL TUBO/TUBE PROFILE  $\phi$ 15x2