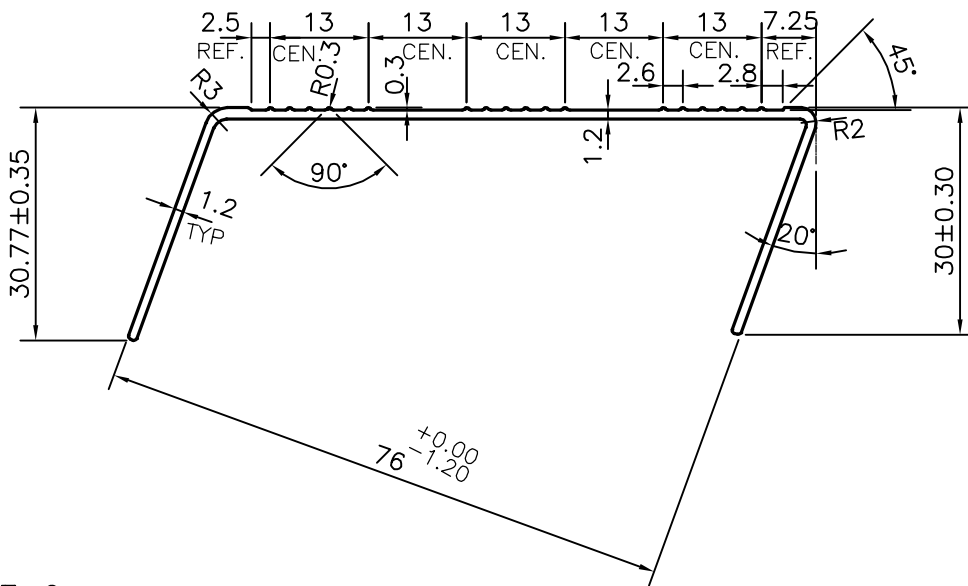
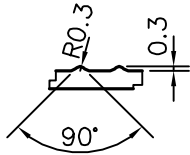
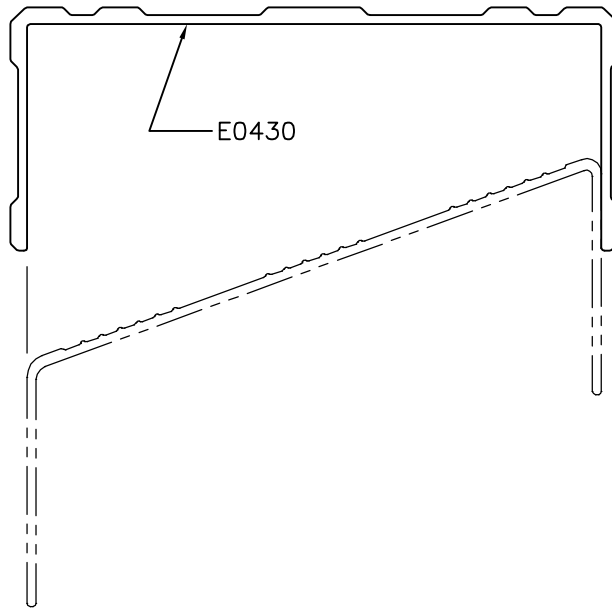


P-15522

E0433



ISSUE-2

DIMENSION REMOVED 91 ± 0.80 mm &
ONE DIMENSION ADDED 30.77 ± 0.35



SYMBOL OF QUALITY
AN ISO 9001 COMPANY

JINDAL ALUMINIUM LTD.
BANGALORE-560073 (INDIA)

	NAME	DATE
DRAWN	J.P.KAUSHIK	22-02-2016
CHECKED		
APPROVED	S.S.GARG	27-02-2016
SCALE		1:1
AREA mm ²		174.462
PERIMETER mm.		286.812
WEIGHT kg/m		0.471
DRAWING No.	SECTION No.	
P-15522	-	
E0433	E0433(ISSUE-2)	

1. ALL DIMENSIONS ARE IN mm.
2. ROUND OFF ALL SHARP CORNERS WITH 0.40 mm.
3. TOLERANCES WILL BE AS PER, IS:3965-1981 UNLESS OTHERWISE SPECIFIED

PARTY'S NAME	AGUERRI INDUSTRIES PVT. LTD., CHENNAI
PARTY'S DRAWING No.	04654
ALLOY & TEMPER	6063 T5
DESCRIPTION	PELDANO PRO/PRO RUNG PROFILE 91x30