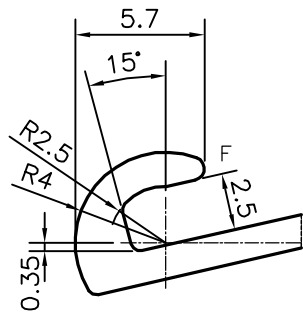
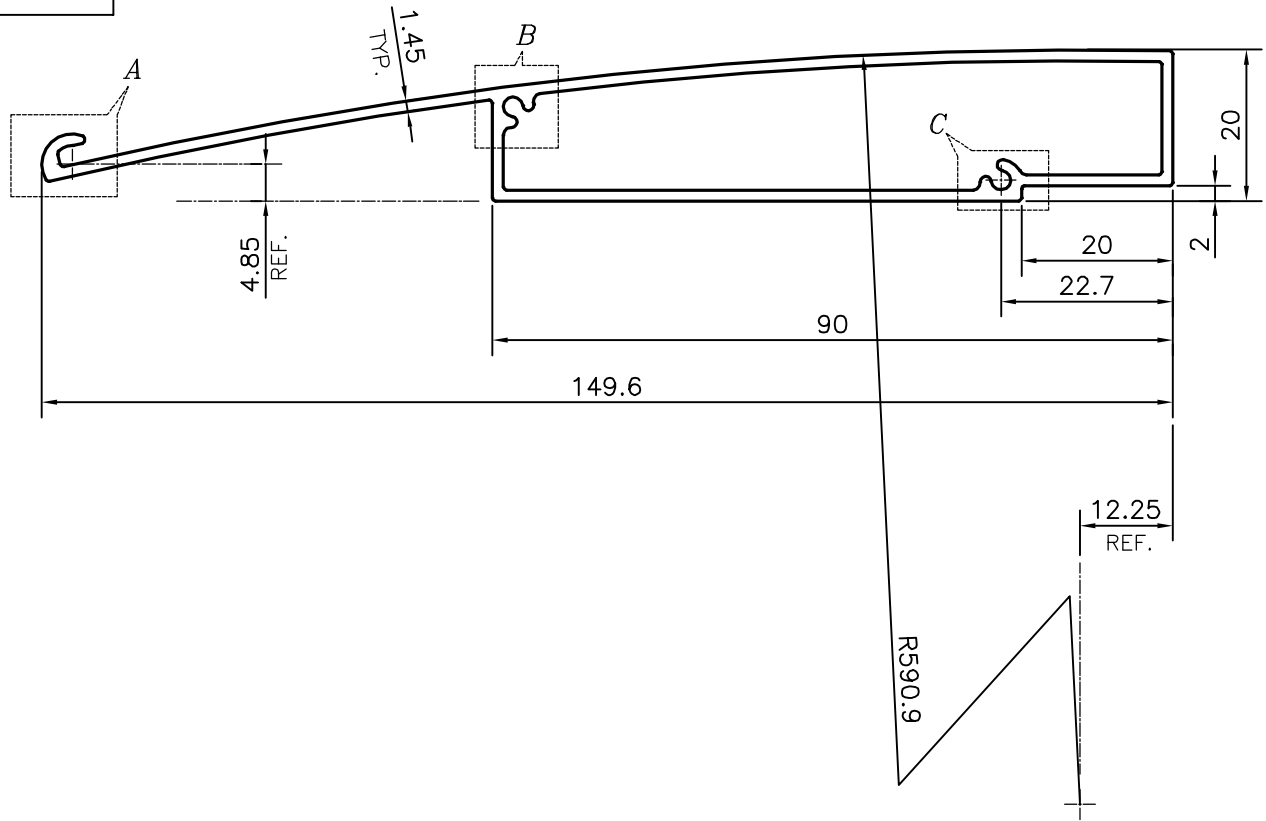
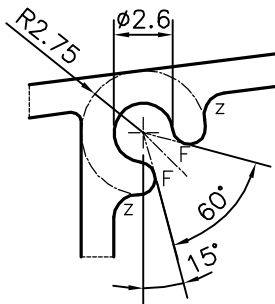


P-15599-1

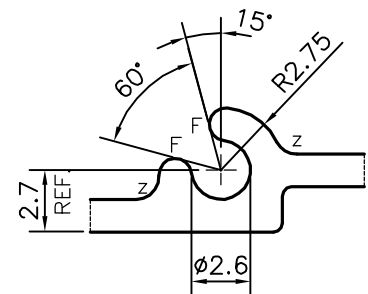
E0438



DETAIL OF "A"
SCALE 3:1



DETAIL OF "B"
SCALE 3:1



DETAIL OF "C"
SCALE 3:1

F = FULL RADIUS (5 PLACES)
Z = RADIUS 1 mm. (4 PLACES)



SYMBOL OF QUALITY
AN ISO 9001 COMPANY

JINDAL ALUMINIUM LTD.
BANGALORE-560073 (INDIA)

	NAME	DATE
DRAWN	PARVESH	18-02-2016
CHECKED		
APPROVED	B. NATARAJ	22-02-2016
SCALE		1:1
AREA mm ²		417.202
PERIMETER mm.		347.163
WEIGHT kg/m		1.126
DRAWING No.	SECTION No.	
P-15599-1	-	
E0438	E0438	

1. ALL DIMENSIONS ARE IN mm.
2. ROUND OFF ALL SHARP CORNERS WITH 0.40 mm.
3. TOLERANCES WILL BE AS PER IS:6477-1983 , UNLESS OTHERWISE SPECIFIED

PARTY'S NAME	SIGNSUTRA, NEW DELHI
PARTY'S DRAWING No.	AS PER SAMPLE
ALLOY & TEMPER	6063 T5
DESCRIPTION	DISPLAY SECTION