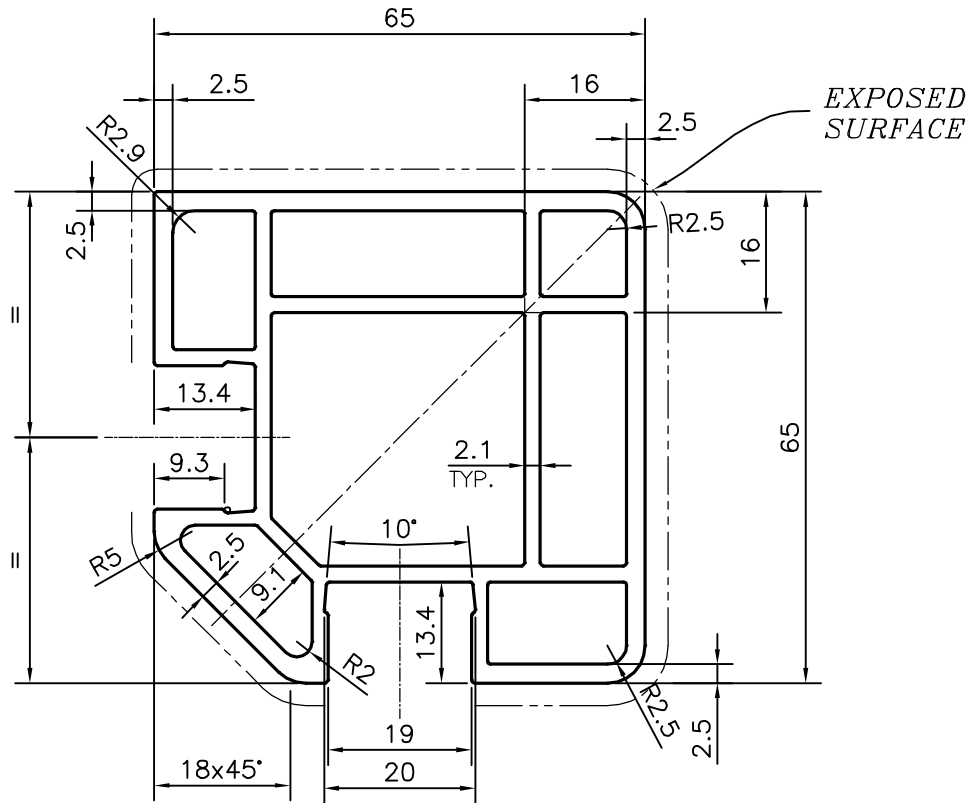


P-15669-1

E0459



SYMBOL OF QUALITY  
AN ISO 9001 COMPANY

**JINDAL ALUMINIUM LTD.**  
BANGALORE-560073 (INDIA)

	NAME	DATE
DRAWN	PARVESH	25-03-2016
CHECKED		
APPROVED	S.S. GARG	06-04-2016
SCALE		1:1
AREA mm <sup>2</sup>		976.45
PERIMETER mm.		298.514
WEIGHT kg/m		2.636

1. ALL DIMENSIONS ARE IN mm.
2. ROUND OFF ALL SHARP CORNERS WITH 0.40 mm.
3. TOLERANCES WILL BE AS PER IS:6477-1983 , UNLESS OTHERWISE SPECIFIED

PARTY'S NAME	MV ENGINEERING TECHNOLOGIES PVT. LTD., MUMBAI	DRAWING No.	P-15669-1	SECTION No.	-
PARTY'S DRAWING No.	AS PER SAMPLE & REQUIREMENT		E0459		E0459
ALLOY & TEMPER	HE9 WP				
DESCRIPTION	CONVEYOR SECTION				