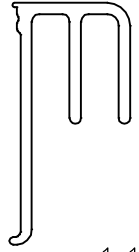
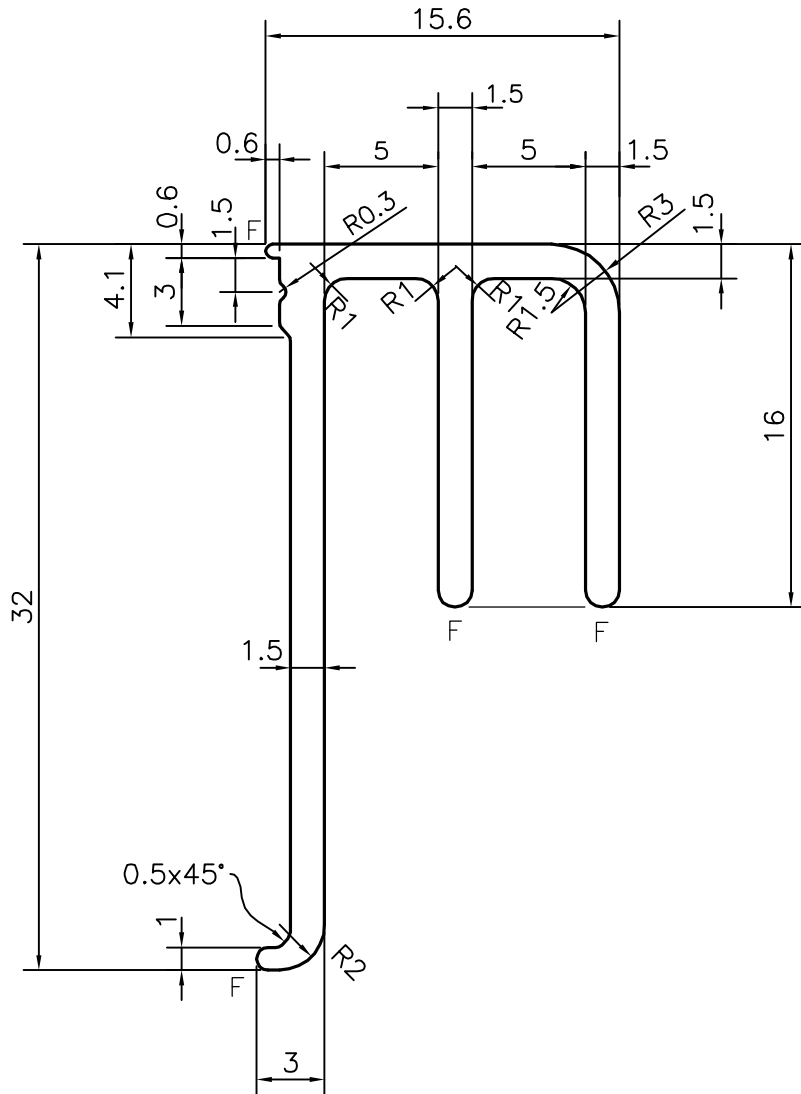


P-15466

E0470



1:1



F = FULL RADIUS (4 PLACES)



SYMBOL OF QUALITY
AN ISO 9001 COMPANY

JINDAL ALUMINIUM LTD.
BANGALORE-560073 (INDIA)

	NAME	DATE
DRAWN	J.P.KAUSHIK	31-12-2015
CHECKED		
APPROVED	B. NATARAJ	07-05-2016

1. ALL DIMENSIONS ARE IN mm.
2. ROUND OFF ALL SHARP CORNERS WITH 0.40 mm.
3. TOLERANCES WILL BE AS PER BS:EN-12020-2 , UNLESS OTHERWISE SPECIFIED

SCALE	3:1
AREA mm ²	112.463
PERIMETER mm.	149.692
WEIGHT kg/m	0.304

PARTY'S NAME	HAFELE INDIA PVT. LTD., MUMBAI	DRAWING No.	P-15466	SECTION No.	-
PARTY'S DRAWING No.	AS PER AUTO CAD DRAWING-9016 0004/4		E0470		E0470
ALLOY & TEMPER	AlMgSi0.5 F 22				
DESCRIPTION	MISC. SECTION				