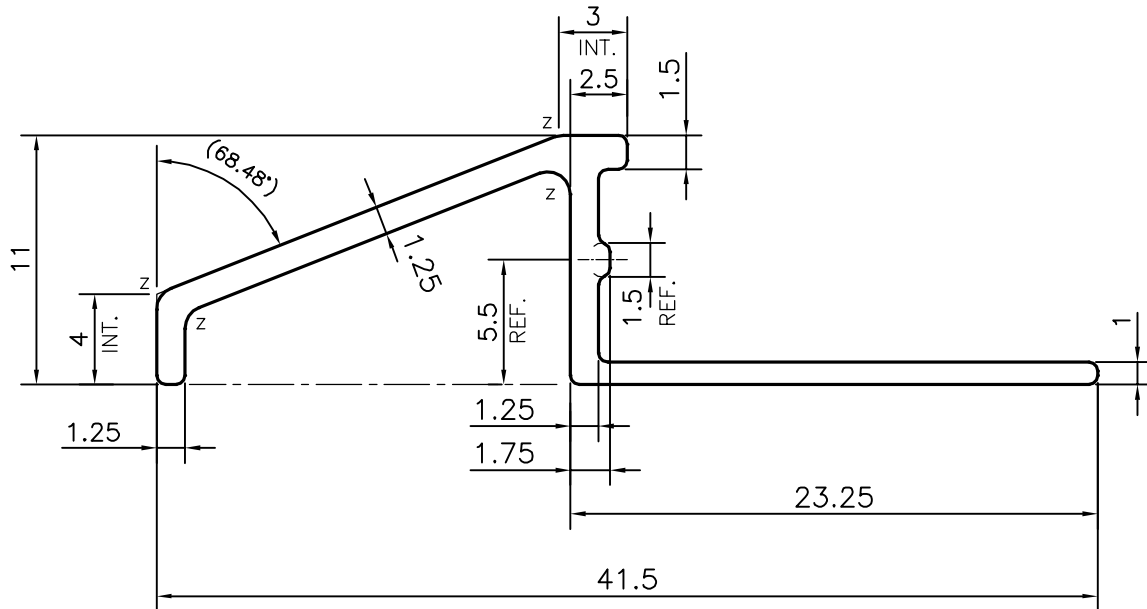


P-15472

E0481

EXPOSED  
SURFACE

SCALE: - 1:1



Z = RADIUS 1 mm. (4 PLACES)

SYMBOL OF QUALITY  
AN ISO 9001 COMPANY

**JINDAL ALUMINIUM LTD.**  
BANGALORE-560073 (INDIA)

	NAME	DATE
DRAWN	PARVESH	01-01-2016
CHECKED		
APPROVED	S.S. GARG	07-06-2016
SCALE		3:1
AREA mm <sup>2</sup>		66.77
PERIMETER mm.		113.649
WEIGHT kg/m		0.180
DRAWING No.	SECTION No.	
P-15472	-	
E0481	E0481	

1. ALL DIMENSIONS ARE IN mm.
2. ROUND OFF ALL SHARP CORNERS WITH 0.40 mm.
3. TOLERANCES WILL BE AS PER IS:3965-1981, UNLESS OTHERWISE SPECIFIED

PARTY'S NAME	SURFACES, BANGALORE
PARTY'S DRAWING No.	MODIFIED OF SECTION No. E0305
ALLOY & TEMPER	HE9 WP
DESCRIPTION	FURNITURE SECTION