

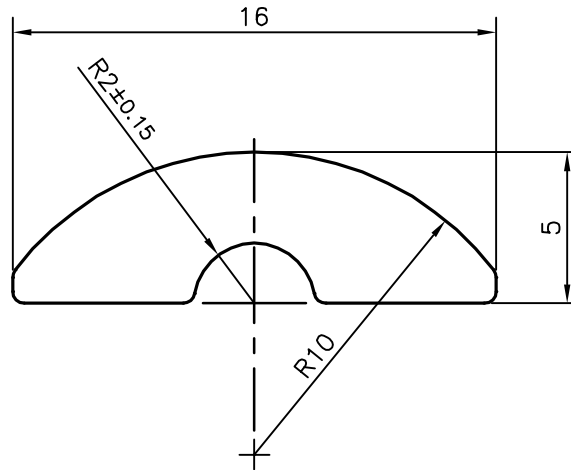
P-16308

E0529

EXPOSED SURFACE



SCALE 1:1



SYMBOL OF QUALITY  
AN ISO 9001 COMPANY

**JINDAL ALUMINIUM LTD.**  
BANGALORE-560073 (INDIA)

	NAME	DATE
DRAWN	KIRAN	10-09-2016
CHECKED		
APPROVED	S.S. GARG	16-09-2016

1. ALL DIMENSIONS ARE IN mm.
2. ROUND OFF ALL SHARP CORNERS WITH 0.40 mm.
3. TOLERANCES WILL BE AS PER IS:3965-1981, UNLESS OTHERWISE SPECIFIED

SCALE	1:1
AREA mm <sup>2</sup>	54.322
PERIMETER mm.	38.187
WEIGHT kg/m	0.147

PARTY'S NAME DORMA INDIA PVT. LTD.,CHENNAI

DRAWING No. SECTION No.

PARTY'S DRAWING No. 255079-00-1-20

P-16308

ALLOY & TEMPER 6005A T6

E0529

E0529

DESCRIPTION MISC. SECTION