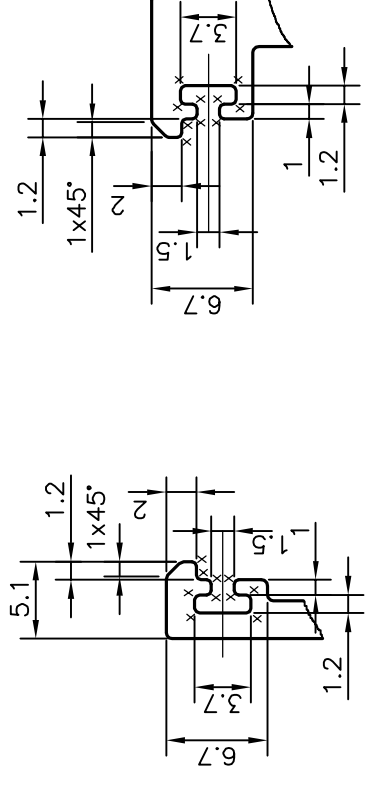
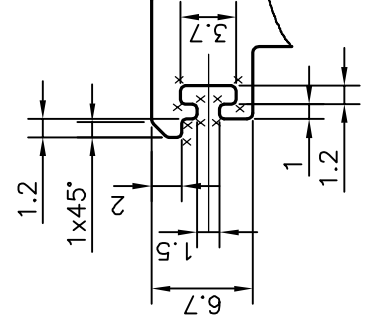


P-16531-1

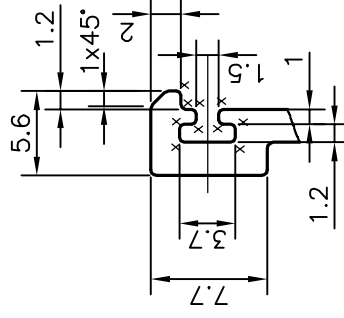
E0542



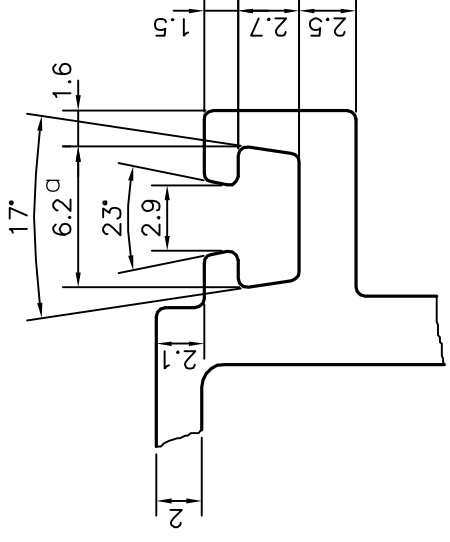
DETAIL OF "D"
SCALE 2:1



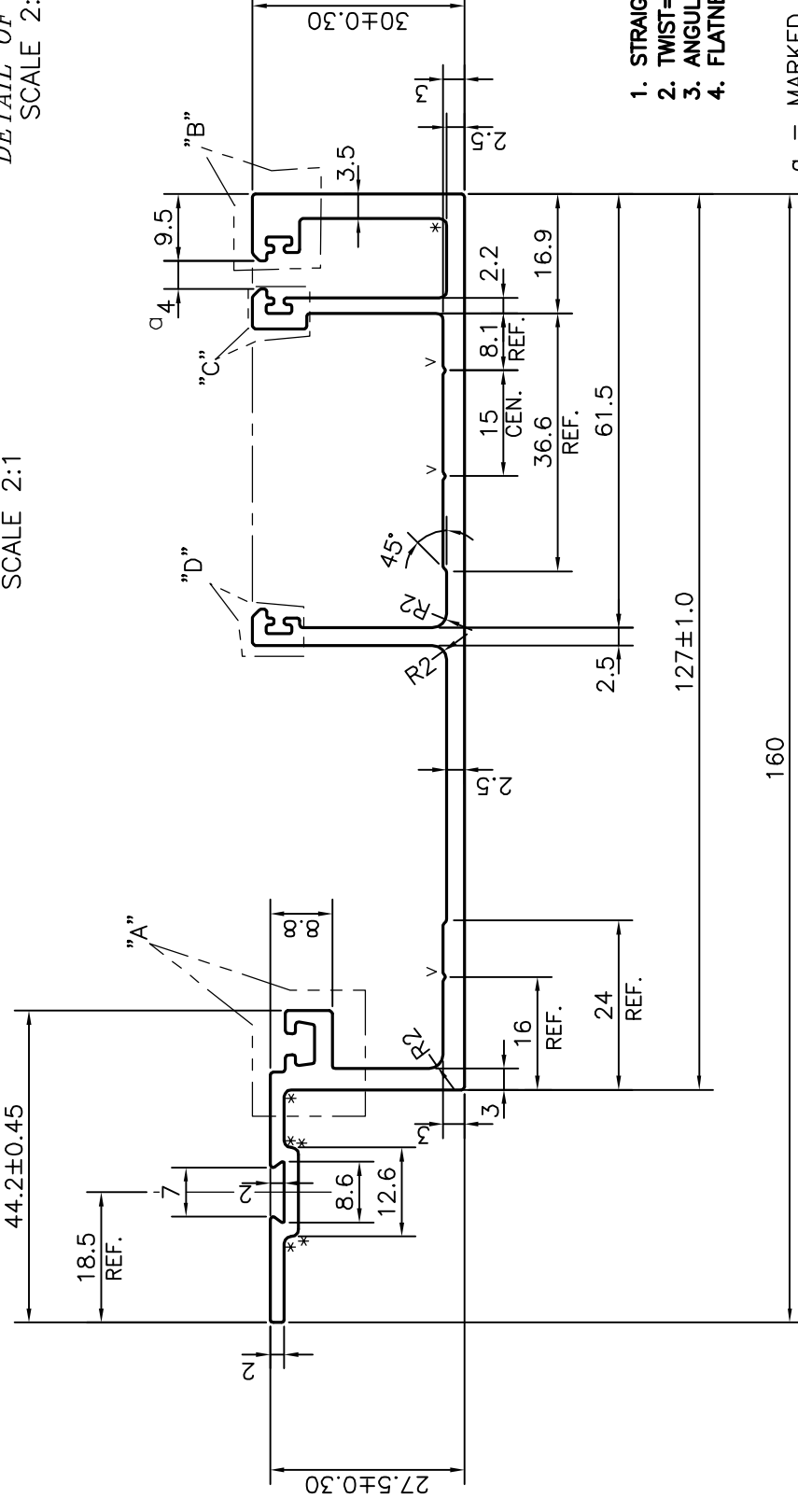
DETAIL OF "B"
SCALE 2:1



DETAIL OF "C"
SCALE 2:1



DETAIL "A"
SCALE 3:1



1. STRAIGHTNESS=1.0mm/M
2. TWIST=1.0mm/M
3. ANGULARITY= ±1°
4. FLATNESS =0.007xWIDTH

g = MARKED CRITICAL DIMENSIONS
 X = RADIUS 0.3 mm. (30 PLACES)
 * = RADIUS 1.0 (7 PLACES)
 V = V GROOVE 0.3x90°(3 PLACES)

TOLERANCES ON OVERALL WIDTHS & WIDTHS ACROSS FLATS OF BARS, & REGULAR SECTIONS

UPTO 6.40mm - ±0.20	UPTO 32.0mm - ±0.38	UPTO 120.0mm - ±0.85	UPTO 320.00mm - ±1.70
UPTO 10.0mm - ±0.23	UPTO 50.0mm - ±0.46	UPTO 160.0mm - ±1.02	
UPTO 12.0mm - ±0.25	UPTO 60.0mm - ±0.53	UPTO 200.0mm - ±1.14	
UPTO 16.0mm - ±0.28	UPTO 80.0mm - ±0.69	UPTO 250.0mm - ±1.40	
UPTO 25.0mm - ±0.30	UPTO 100.0mm - ±0.75	UPTO 300.0mm - ±1.65	

<p>SYMBOL OF QUALITY AN ISO 9001 COMPANY</p>		<p>JINDAL ALUMINIUM LTD. BANGALORE-560073 (INDIA)</p>		<p>NAME J.P.KAUSHIK</p>	<p>DATE 29-11-2016</p>
		<p>DRAWN CHECKED</p>	<p>APPROVED B.NATARAJ</p>	<p>SCALE 1:1</p>	<p>SECTION No. E0542</p>
<p>1. ALL DIMENSIONS ARE IN mm. 2. ROUND OFF ALL SHARP CORNERS WITH 0.40 mm. 3. TOLERANCES WILL BE AS PER IS:3965-1981 UNLESS OTHERWISE SPECIFIED</p>				<p>AREA mm² 804.568</p>	<p>PERIMETER mm. 614.232</p>
<p>PARTY'S NAME ALUFIT (INDIA) PVT. LTD., BANGALORE</p>		<p>WEIGHT kg/m 2.172</p>	<p>DRAWING No. P-16531-1</p>		
<p>PARTY'S DRAWING No. AL-OR-02 & AutoCAD DRAWING</p>		<p>DRAWING No. E0542</p>	<p>SECTION No. -</p>		
<p>ALLOY & TEMPER 6063 T6</p>		<p>DRAWING No. E0542</p>			
<p>DESCRIPTION CURTAIN WALL SECTION-FEMALE MULLION</p>		<p>DRAWING No. E0542</p>			

