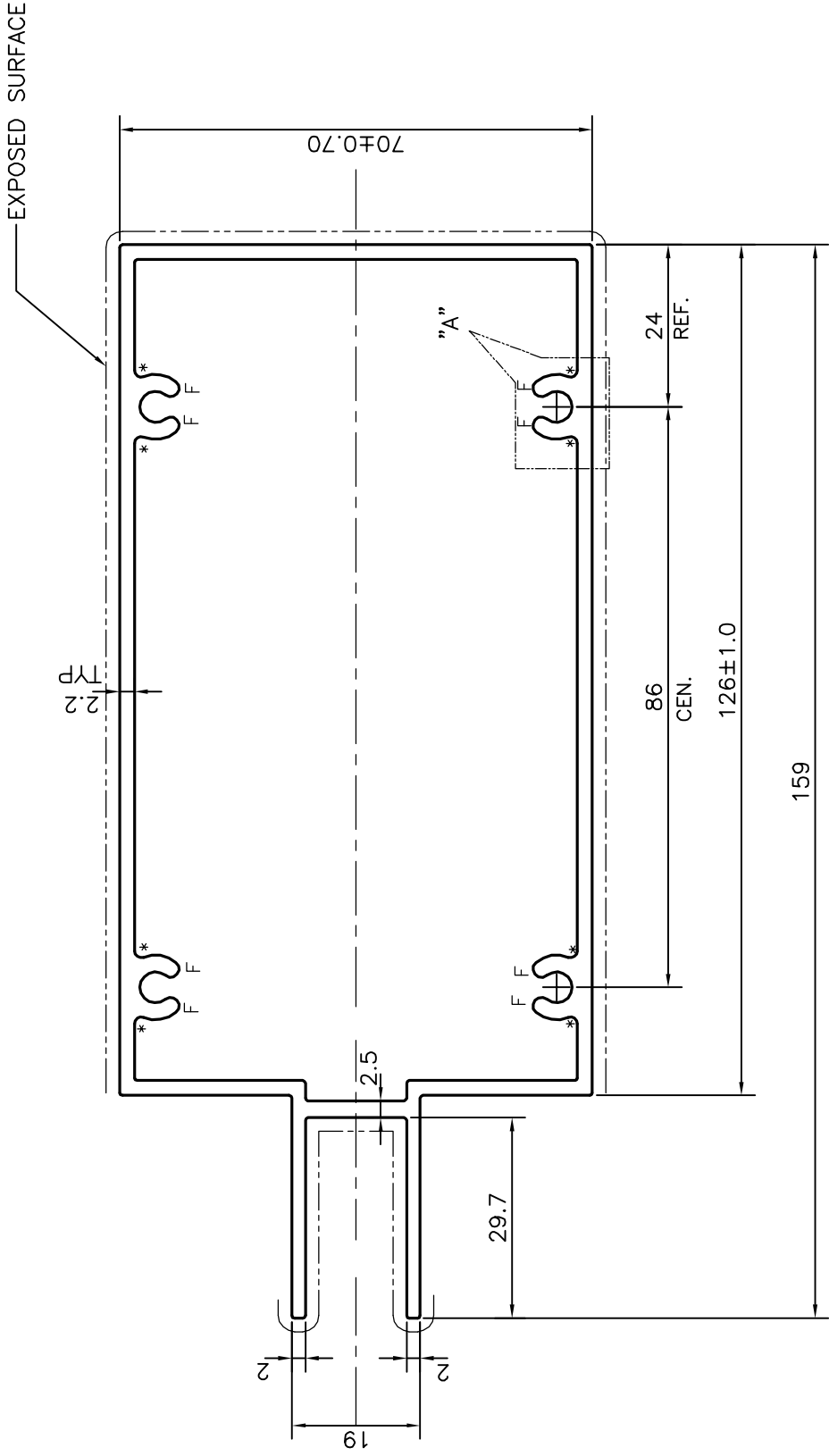


P-16533-1

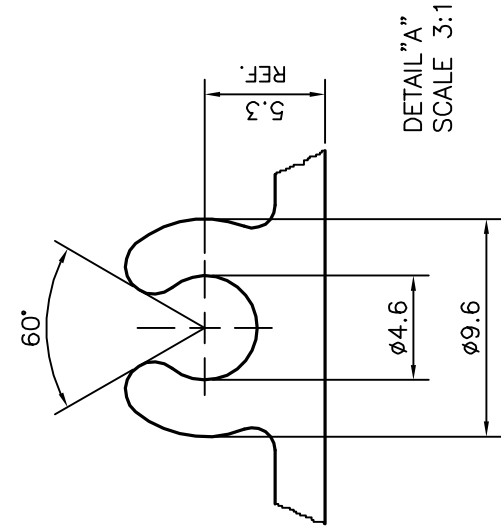
E0543



- 1. STRAIGHTNESS=1.0mm/M
- 2. TWIST=1.0mm/M
- 3. ANGULARITY= ±1°
- 4. FLATNESS =0.007xWIDTH

F = FULL RADIUS (8 PLACES)

\* = RADIUS 1.0 (8 PLACES)



TOLERANCES ON OVERALL WIDTHS & WIDTHS ACROSS FLATS OF BARS, & REGULAR SECTIONS

UPTO 6.40mm - ±0.20	UPTO 32.0mm - ±0.38	UPTO 120.0mm - ±0.85	UPTO 320.00mm - ±1.70
UPTO 10.0mm - ±0.23	UPTO 50.0mm - ±0.46	UPTO 160.0mm - ±1.02	
UPTO 12.0mm - ±0.25	UPTO 60.0mm - ±0.53	UPTO 200.0mm - ±1.14	
UPTO 16.0mm - ±0.28	UPTO 80.0mm - ±0.69	UPTO 250.0mm - ±1.40	
UPTO 25.0mm - ±0.30	UPTO 100.0mm - ±0.75	UPTO 300.0mm - ±1.65	

**JINDAL**  
 SYMBOL OF QUALITY  
 AN ISO 9001 COMPANY

**JINDAL ALUMINIUM LTD.**  
 BANGALORE-560073 (INDIA)

- 1. ALL DIMENSIONS ARE IN mm.
- 2. ROUND OFF ALL SHARP CORNERS WITH 0.40 mm.
- 3. TOLERANCES WILL BE AS PER IS:6477-1983 UNLESS OTHERWISE SPECIFIED

PARTY'S NAME	ALUFIT (INDIA) PVT. LTD., BANGALORE
PARTY'S DRAWING No.	AL-OR-05 & AutoCAD DRAWING
ALLOY & TEMPER	6063 T6
DESCRIPTION	MID TRANSOM SECTION

DRAWN	J.P.KAUSHIK	29-11-2016
CHECKED		
APPROVED	B.NATARAJ	03-12-2016
SCALE		1:1
AREA	mm <sup>2</sup>	1129.785
PERIMETER	mm.	515.34
WEIGHT	kg/m	3.050
DRAWING No.		SECTION No.
P-16533-1		-
E0543		E0543