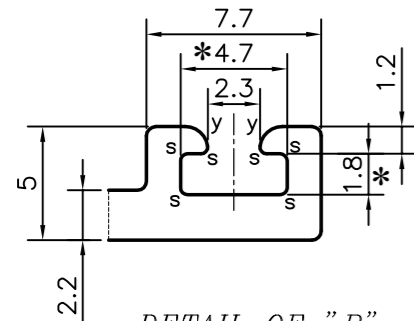
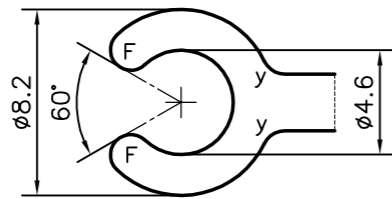


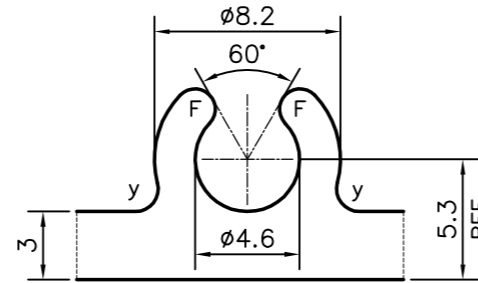
DETAIL OF "A"
SCALE 3:1



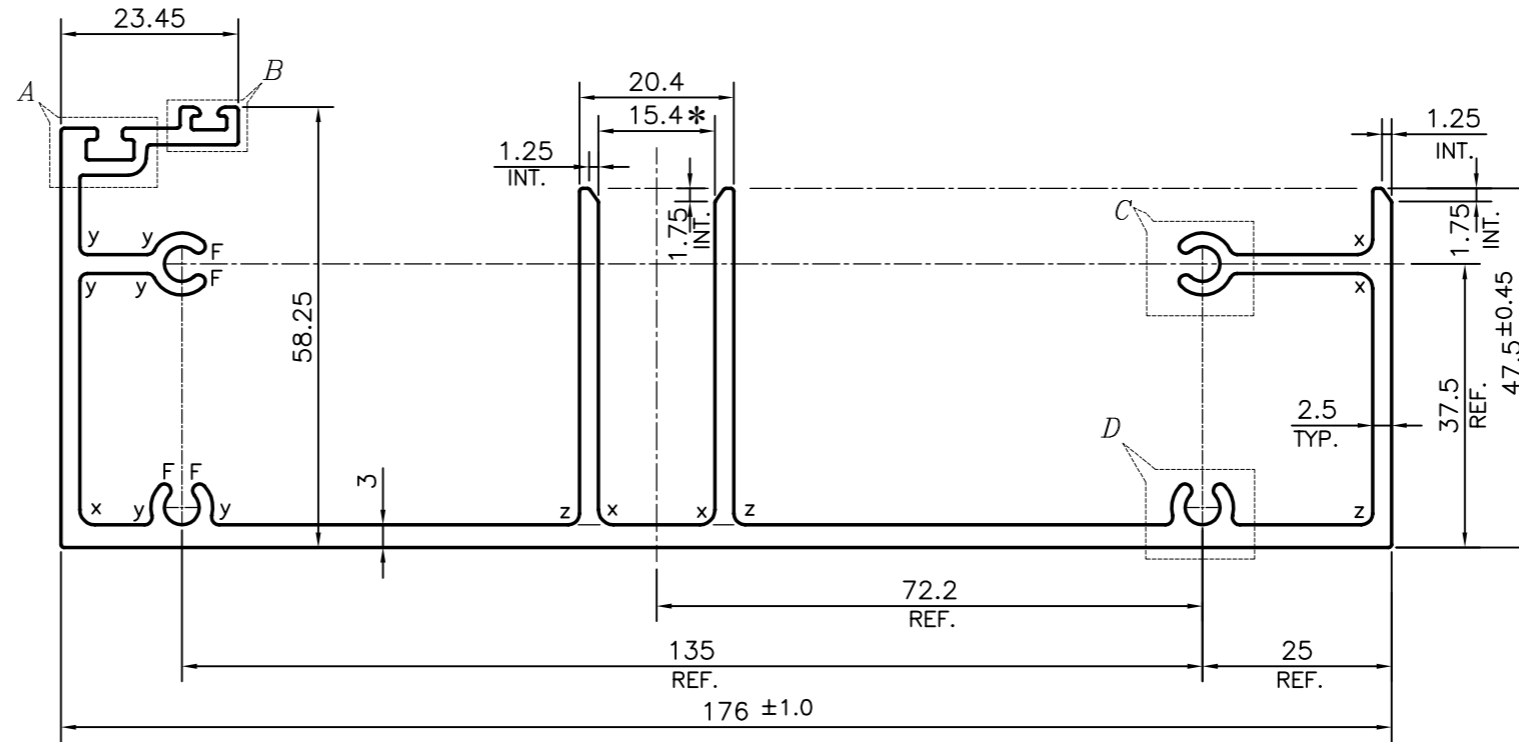
DETAIL OF "B"
SCALE 3:1



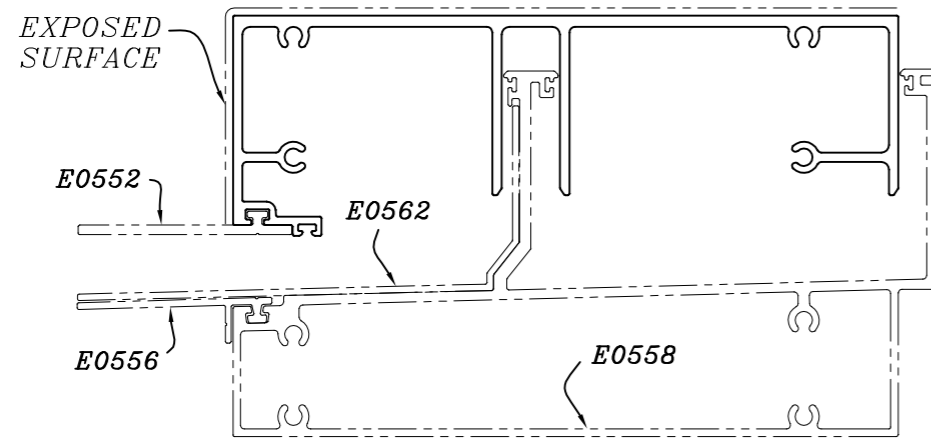
DETAIL OF "C"
SCALE 3:1



DETAIL OF "D"
SCALE 3:1



- F = FULL RADIUS (8 PLACES)
- S = RADIUS 0.3 mm (10 PLACES)
- X = RADIUS 2 mm. (5 PLACES)
- y = RADIUS 1 mm. (10 PLACES)
- Z = RADIUS 1.5 mm. (3 PLACES)
- * = CRITICAL DIMENSIONS



SCALE :- 0.5:1

UNSPECIFIED CORNERS RADIUS WILL BE 0.40 mm.

TOLERANCES ON OVERALL WIDTHS & WIDTHS ACROSS FLATS OF BARS, & REGULAR SECTIONS

UPTO 6.40mm - ±0.20	UPTO 32.0mm - ±0.38	UPTO 120.0mm - ±0.85
UPTO 10.0mm - ±0.23	UPTO 50.0mm - ±0.46	UPTO 160.0mm - ±1.02
UPTO 12.0mm - ±0.25	UPTO 60.0mm - ±0.53	UPTO 200.0mm - ±1.14
UPTO 16.0mm - ±0.28	UPTO 80.0mm - ±0.69	UPTO 250.0mm - ±1.40
UPTO 25.0mm - ±0.30	UPTO 100.0mm - ±0.75	UPTO 300.0mm - ±1.65

1. STRAIGHTNESS=1.0mm/M
2. TWIST=1.0mm/M
3. ANGULARITY= ±1°
4. FLATNESS =0.007xWIDTH

<p>SYMBOL OF QUALITY AN ISO 9001 COMPANY</p>	<p>JINDAL ALUMINIUM LTD. BANGALORE-560073 (INDIA)</p>	NAME	DATE
		DRAWN	PARVESH 29-11-2016
		CHECKED	
		APPROVED	B. NATARAJA 03-11-2016
		SCALE	1:1
		AREA mm ²	1236.198
		PERIMETER mm.	940.604
		WEIGHT kg/m	3.338
PARTY'S NAME	ALUFIT (INDIA) PRIVATE LIMITED, BANGALORE	DRAWING No.	SECTION No.
PARTY'S DRAWING No.	AS PER AUTOCAD DRAWING-AF-105(G2H)	P-16544	-
ALLOY & TEMPER	6063 T6	E0549	E0549
DESCRIPTION	CURTAIN WALL SECTION-SILL TRANSOM		