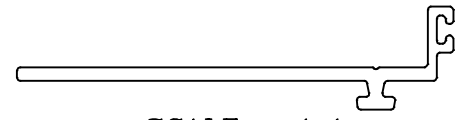
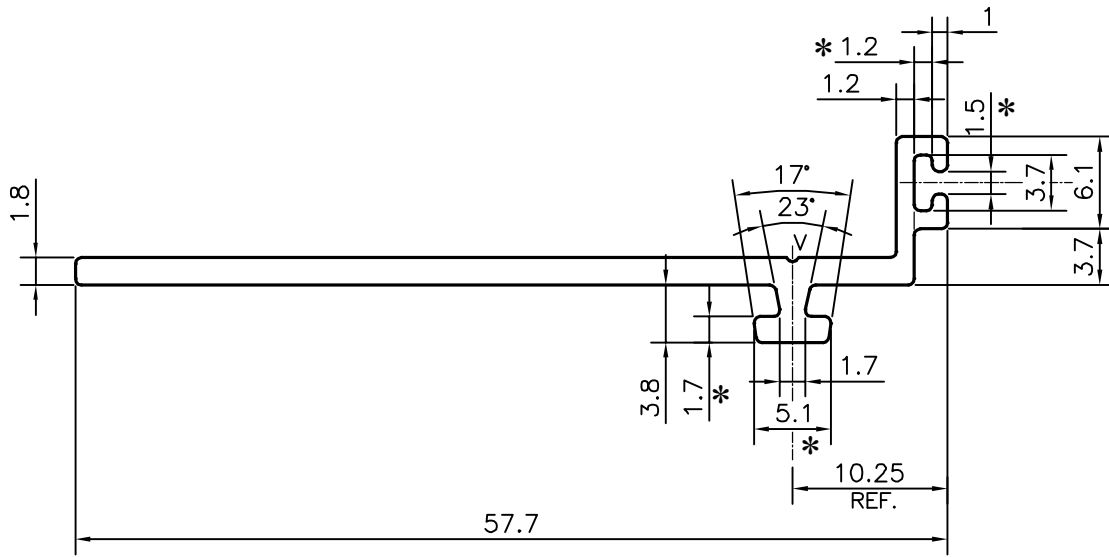


P-16546

E0551

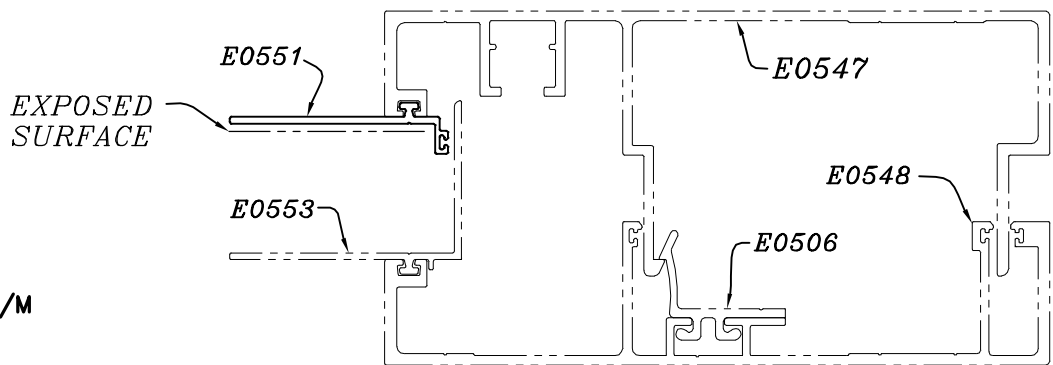


SCALE: - 1:1



V = VEE GROOVE 0.3x90° (1 PLACE)

\* = CRITICAL DIMENSIONS



SCALE :- 0.5:1

1. STRAIGHTNESS=1.0mm/M
2. TWIST=1.0mm/M
3. ANGULARITY= ±1°
4. FLATNESS =0.007xWIDTH

UNSPECIFIED CORNERS RADIUS WILL BE 0.40 mm.



SYMBOL OF QUALITY  
AN ISO 9001 COMPANY

**JINDAL ALUMINIUM LTD.**  
BANGALORE-560073 (INDIA)

	NAME	DATE
DRAWN	PARVESH	01-12-2016
CHECKED		
APPROVED	B. NATARAJA	03-11-2016
SCALE		2:1
AREA	mm <sup>2</sup>	129.235
PERIMETER	mm.	153.578
WEIGHT	kg/m	0.349
DRAWING No.	SECTION No.	
P-16546	-	
E0551	E0551	

1. ALL DIMENSIONS ARE IN mm.
2. ROUND OFF ALL SHARP CORNERS WITH 0.50 mm.
3. TOLERANCES WILL BE AS PER IS:3965-1981, UNLESS OTHERWISE SPECIFIED

PARTY'S NAME	ALUFIT (INDIA) PRIVATE LIMITED, BANGALORE
PARTY'S DRAWING No.	AS PER AUTOCAD DRAWING-AF-113(G2H)
ALLOY & TEMPER	6063 T6
DESCRIPTION	CURTAIN WALL SECTION-1st BARRIER-1 (FEMALE)