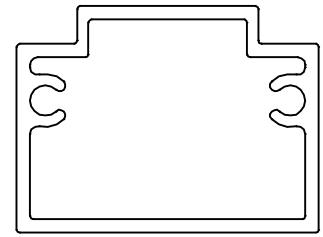
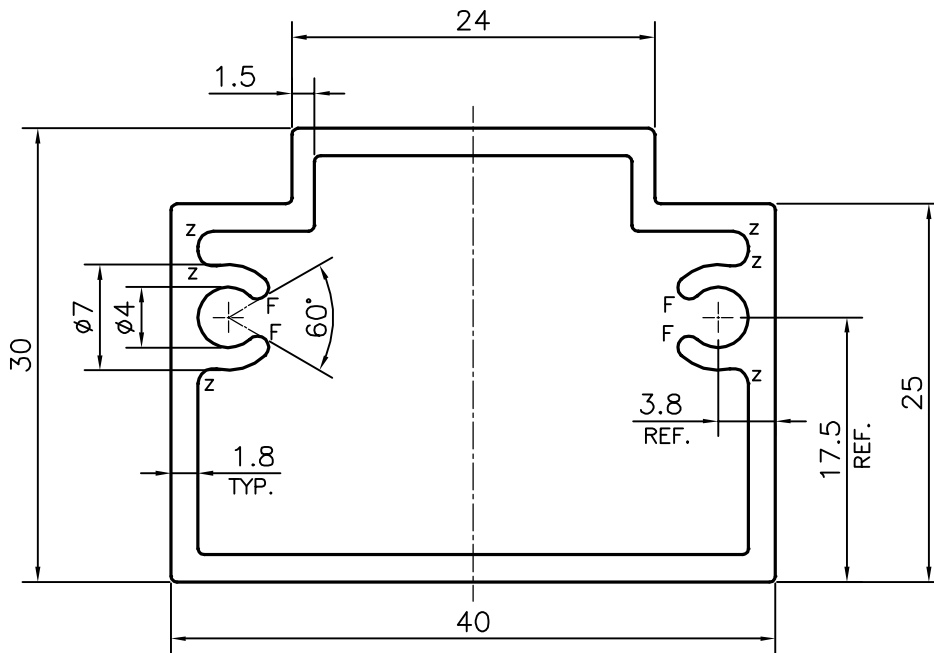


P-16939

E0617



SCALE: - 1:1



1. STRAIGHTNESS=1.0mm/M
2. TWIST=1.0mm/M
3. ANGULARITY= ±1°
4. FLATNESS =0.007xWIDTH

F = FULL RADIUS (4 PLACES)
Z = RADIUS 1 mm. (6 PLACES)



SYMBOL OF QUALITY
AN ISO 9001 COMPANY

JINDAL ALUMINIUM LTD.
BANGALORE-560073 (INDIA)

	NAME	DATE
DRAWN	PARVESH	01-04-2017
CHECKED		
APPROVED	B.NATARAJA	08-04-2017
SCALE		2:1
AREA mm ²		268.315
PERIMETER mm.		138.627
WEIGHT kg/m		0.724
DRAWING No.	SECTION No.	
P-16939	-	
E0617	E0617	

1. ALL DIMENSIONS ARE IN mm.
2. ROUND OFF ALL SHARP CORNERS WITH 0.40 mm.
3. TOLERANCES WILL BE AS PER IS:6477-1983 , UNLESS OTHERWISE SPECIFIED

PARTY'S NAME	ALUFIT (INDIA) PRIVATE LIMITED, BANGALORE
PARTY'S DRAWING No.	AS PER AUTOCAD DRAWING-(ICC)-AL-25
ALLOY & TEMPER	6063 T6
DESCRIPTION	CURTAIN WALL SECTION-ACP STIFFENER