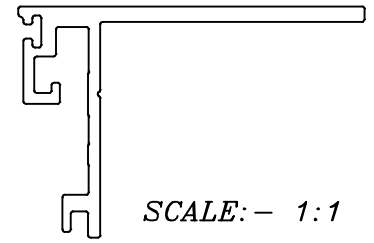
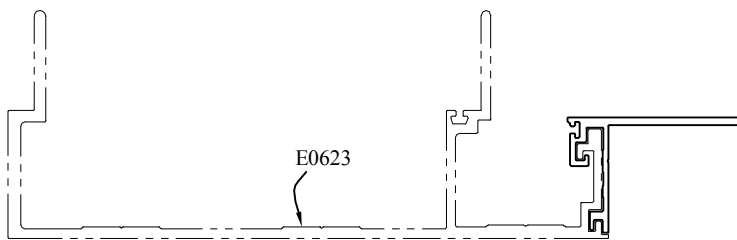
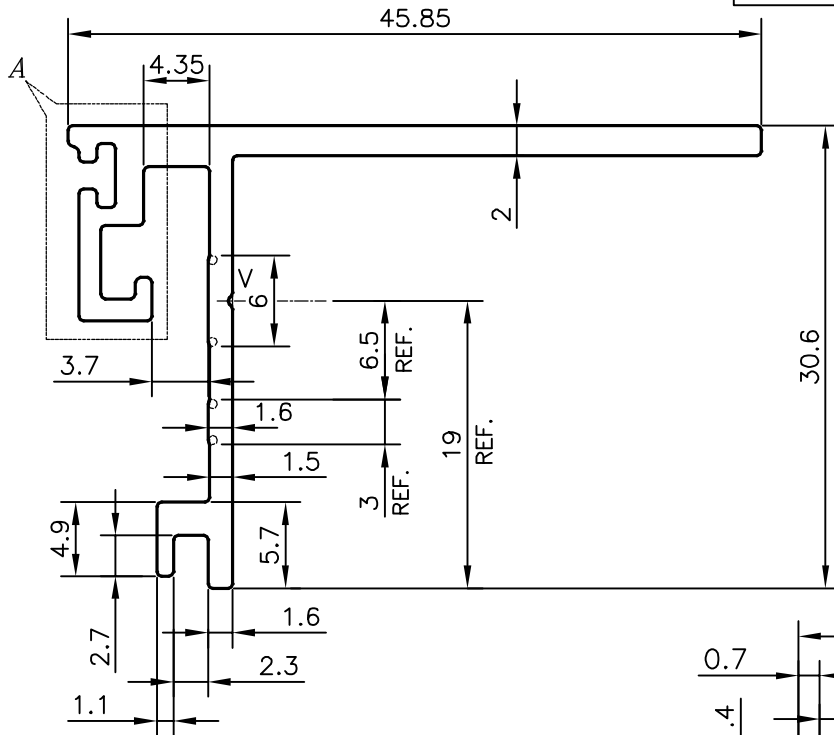


P-16946

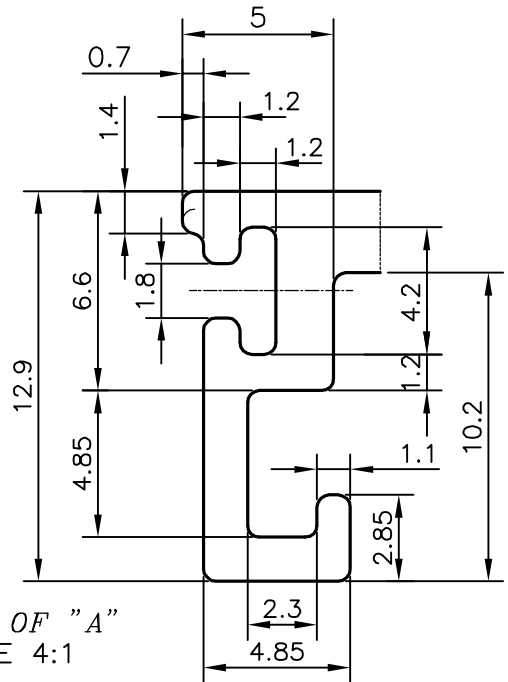
E0624



SCALE:- 1:1



SCALE :- 0.5:1



DETAIL OF "A"  
SCALE 4:1

V = VEE GROOVE 0.3x90° (1 PLACE)

1. STRAIGHTNESS=1.0mm/M
2. TWIST=1.0mm/M
3. ANGULARITY= ±1°
4. FLATNESS =0.007xWIDTH

**ROUND OFF ALL SHARP CORNERS WITH 0.30 mm.**



SYMBOL OF QUALITY  
AN ISO 9001 COMPANY

**JINDAL ALUMINIUM LTD.**  
BANGALORE-560073 (INDIA)

	NAME	DATE
DRAWN	PARVESH	01-04-2017
CHECKED		
APPROVED	B.NATARAJA	08-04-2017
SCALE		2:1
AREA mm <sup>2</sup>		177.032
PERIMETER mm.		200.976
WEIGHT kg/m		0.478
DRAWING No.	SECTION No.	
P-16946	-	
E0624	E0624	

1. ALL DIMENSIONS ARE IN mm.
2. ROUND OFF ALL SHARP CORNERS WITH 0.40 mm.
3. TOLERANCES WILL BE AS PER IS:3965-1981 , UNLESS OTHERWISE SPECIFIED

PARTY'S NAME	ALUFIT (INDIA) PRIVATE LIMITED, BANGALORE
PARTY'S DRAWING No.	AS PER AUTOCAD DRAWING-(ICC)-AL-09
ALLOY & TEMPER	6063 T6
DESCRIPTION	CURTAIN WALL SECTION-FEMALE EDGE GUARD