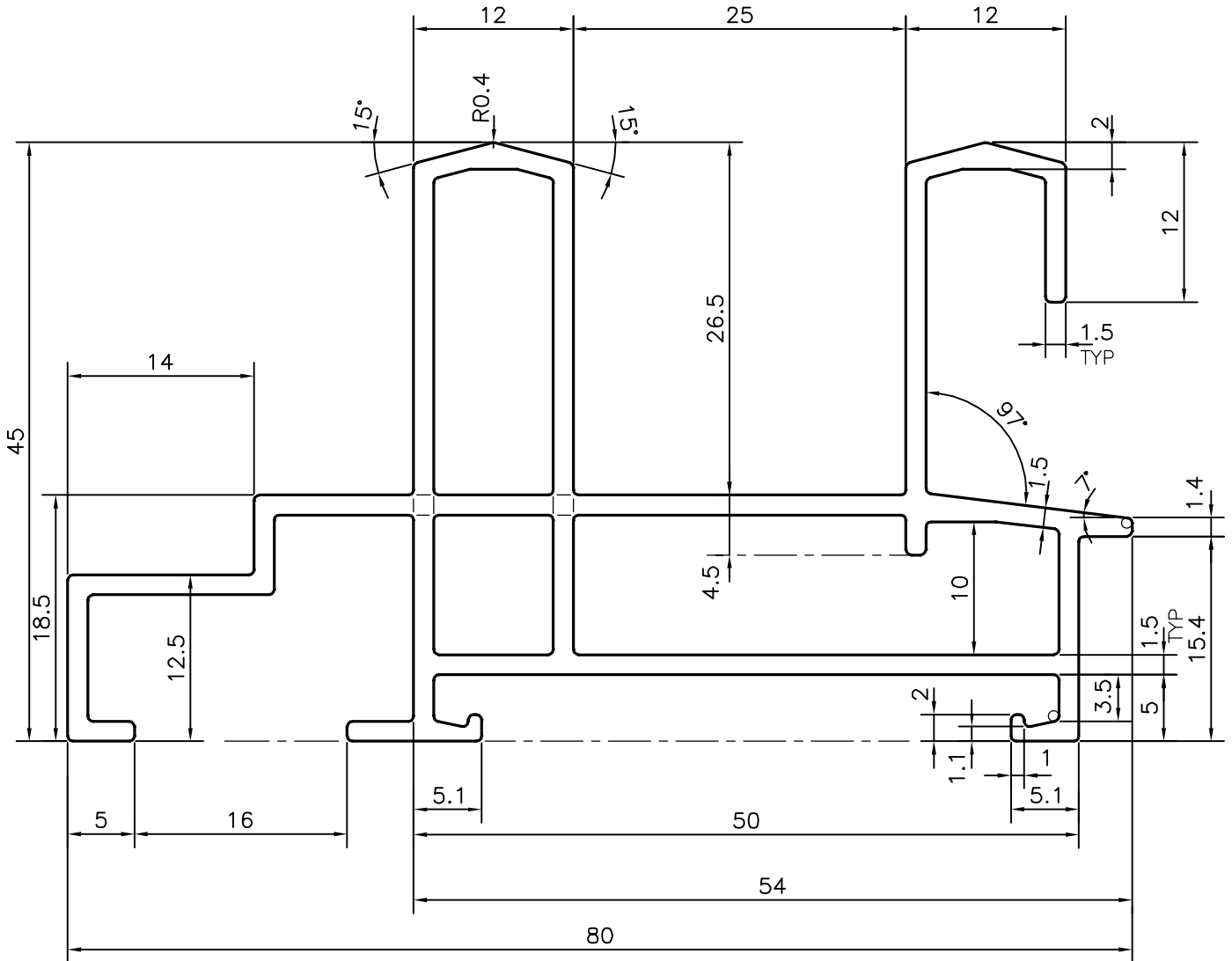
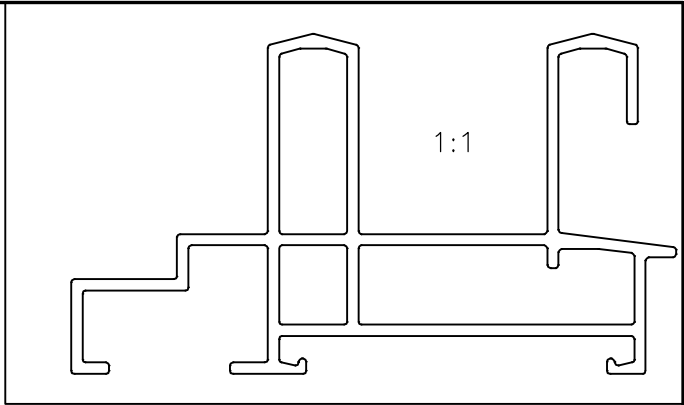


P-17699

E0779



SYMBOL OF QUALITY
AN ISO 9001 COMPANY

JINDAL ALUMINIUM LTD.
BANGALORE-560073 (INDIA)

	NAME	DATE
DRAWN	J.P.KAUSHIK	14-12-2017
CHECKED		
APPROVED	B.NATARAJA	25-12-2017
SCALE		2:1
AREA	mm ²	469.888
PERIMETER	mm.	407.034
WEIGHT	kg/m	1.269
DRAWING No.	SECTION No.	
P-17699	-	
E0779	E0779	

1. ALL DIMENSIONS ARE IN mm.
2. ROUND OFF ALL SHARP CORNERS WITH 0.40 mm.
3. TOLERANCES WILL BE AS PER, IS:6477-1983 UNLESS OTHERWISE SPECIFIED

PARTY'S NAME	ELIXIR MET FORM PVT. LTD., HYDERABAD
PARTY'S DRAWING No.	AS PER DRAWING
ALLOY & TEMPER	6063 T6
DESCRIPTION	WINDOW SECTION