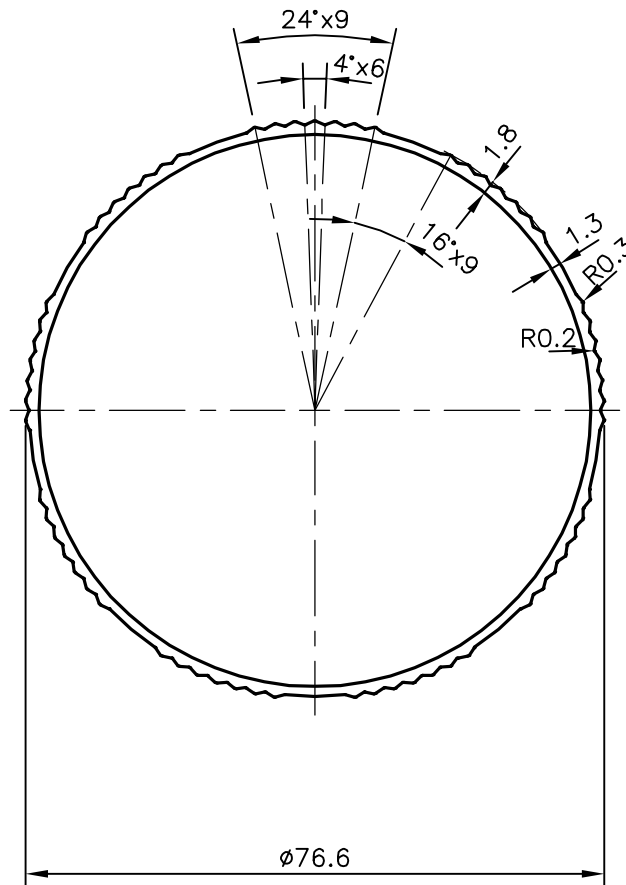


P-14601

X1869

22598

E0786



SYMBOL OF QUALITY  
AN ISO 9001 COMPANY

**JINDAL ALUMINIUM LTD.**  
BANGALORE-560073 (INDIA)

	NAME	DATE
DRAWN	J.P.KAUSHIK	30-04-2015
CHECKED		
APPROVED	S.S.GARG	02-05-2015
SCALE		1:1
AREA mm <sup>2</sup>		345.24
PERIMETER mm.		250.619
WEIGHT kg/m		0.932

1. ALL DIMENSIONS ARE IN mm.
2. ROUND OFF ALL SHARP CORNERS WITH 0.40 mm.
3. TOLERANCES WILL BE AS PER IS:6477-1983 UNLESS OTHERWISE SPECIFIED

PARTY'S NAME SRK LADDERS, PUTTUR

PARTY'S DRAWING No. AS PER DRAWING

ALLOY & TEMPER HE9 WP

DESCRIPTION MISC. TUBE

DRAWING No.	SECTION No.
P-14601	-
X1869	X1869
22598	22598
E0786	E0786