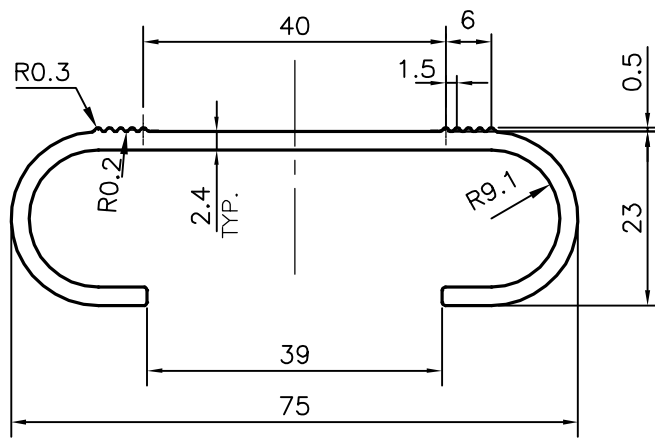


P-15223

X1921

22596

E0788



SYMBOL OF QUALITY
AN ISO 9001 COMPANY

JINDAL ALUMINIUM LTD.
BANGALORE-560073 (INDIA)

	NAME	DATE
DRAWN	J.P.KAUSHIK	03-10-2015
CHECKED		
APPROVED	S.S.GARG	09-10-2015
SCALE		1:1
AREA mm ²		315.123
PERIMETER mm.		267.019
WEIGHT kg/m		0.851
DRAWING No.	SECTION No.	

1. ALL DIMENSIONS ARE IN mm.
2. ROUND OFF ALL SHARP CORNERS WITH 0.40 mm.
3. TOLERANCES WILL BE AS PER IS:3965-1981, UNLESS OTHERWISE SPECIFIED

PARTY'S NAME	SRK LADDERS, PUTTUR	P-15223	-
PARTY'S DRAWING No.	AS PER DRAWING	X1921	X1921
ALLOY & TEMPER	HE9 WP	22596	22596
DESCRIPTION	LADDER SECTION	E0788	E0788