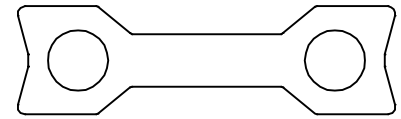
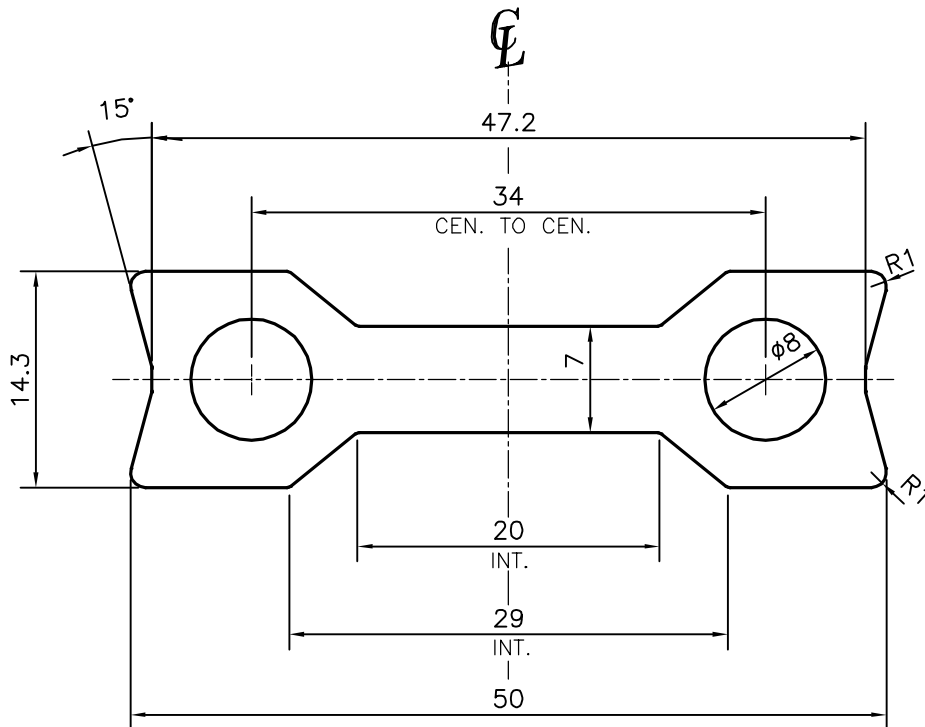


P-17674

E0794



SCALE :- 1:1



SYMBOL OF QUALITY
AN ISO 9001 COMPANY

JINDAL ALUMINIUM LTD.
BANGALORE-560073 (INDIA)

	NAME	DATE
DRAWN	J.P.KAUSHIK	28-11-2017
CHECKED		
APPROVED	B.NATARAJA	22-01-2018
SCALE		2:1
AREA	mm ²	415.685
PERIMETER	mm.	132.7
WEIGHT	kg/m	1.122
DRAWING No.	SECTION No.	
P-17674	-	
E0794	E0794	

1. ALL DIMENSIONS ARE IN mm.
2. ROUND OFF ALL SHARP CORNERS WITH 0.40 mm.
3. TOLERANCES WILL BE AS PER IS:6477-1983 , UNLESS OTHERWISE SPECIFIED

PARTY'S NAME	R V INDUSTRIES, BANGALORE
PARTY'S DRAWING No.	AS PER DRAWING-MODIFIED OF S4947
ALLOY & TEMPER	6082 T6
DESCRIPTION	TEXTILE SECTION