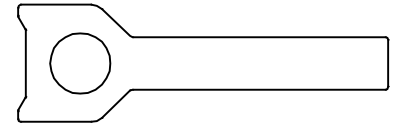
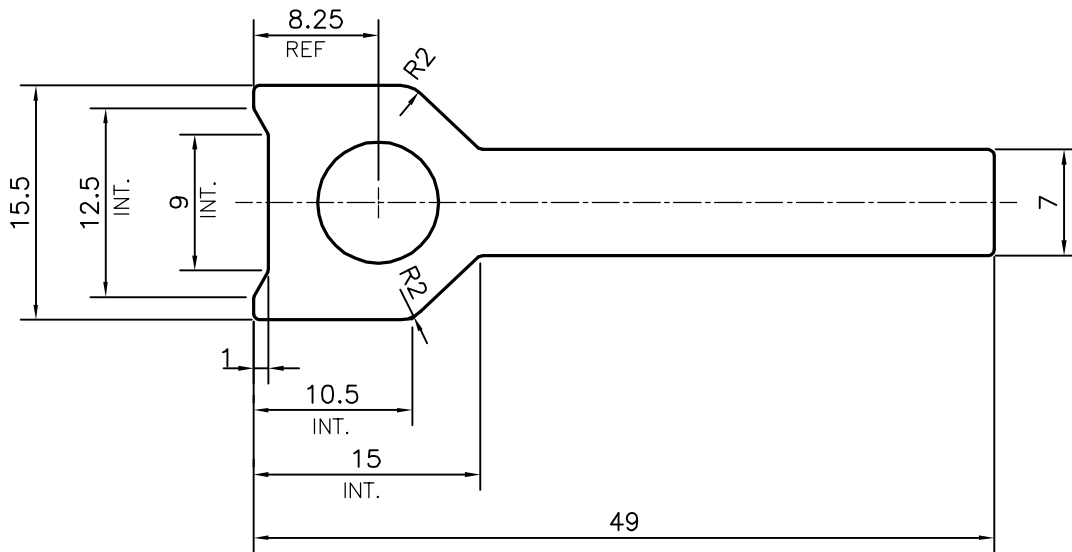


P-17846

E0795



SCALE :- 1:1



SYMBOL OF QUALITY  
AN ISO 9001 COMPANY

**JINDAL ALUMINIUM LTD.**  
BANGALORE-560073 (INDIA)

	NAME	DATE
DRAWN	J.P.KAUSHIK	05-02-2018
CHECKED		
APPROVED	J.N.RAY	07-02-2018
SCALE		2:1
AREA mm <sup>2</sup>		390.075
PERIMETER mm.		123.521
WEIGHT kg/m		1.053
DRAWING No.	SECTION No.	
P-17846	-	
E0795	E0795	

1. ALL DIMENSIONS ARE IN mm.
2. ROUND OFF ALL SHARP CORNERS WITH 0.40 mm.
3. TOLERANCES WILL BE AS PER IS:6477-1983 , UNLESS OTHERWISE SPECIFIED

PARTY'S NAME	OK INDUSTRIES, BANGALORE
PARTY'S DRAWING No.	AS PER DRAWING
ALLOY & TEMPER	6082 T6
DESCRIPTION	TEXTILE SECTION