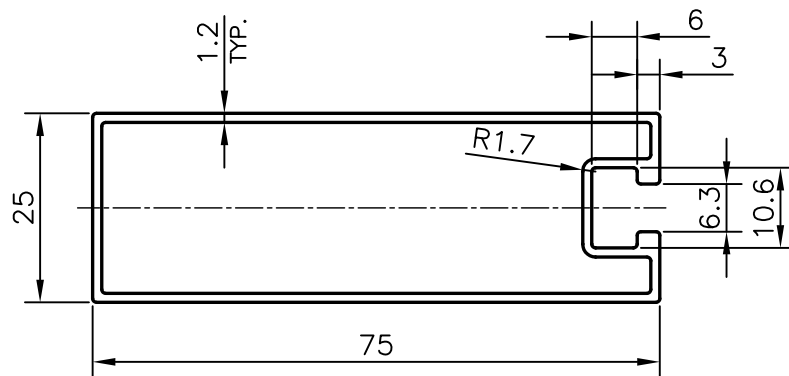


P-18337

E0851



ROUND OFF ALL SHARP CORNERS WITH 0.5 mm.



SYMBOL OF QUALITY
AN ISO 9001 COMPANY

JINDAL ALUMINIUM LTD.
BANGALORE-560073 (INDIA)

	NAME	DATE
DRAWN	PARVESH	22-06-2018
CHECKED		
APPROVED	B.NATARAJA	29-06-2018

1. ALL DIMENSIONS ARE IN mm.
2. ROUND OFF ALL SHARP CORNERS WITH 0.4 mm.
3. TOLERANCES WILL BE AS PER IS:6477-1983 , UNLESS OTHERWISE SPECIFIED

SCALE	1:1
AREA mm ²	267.607
PERIMETER mm.	224.025
WEIGHT kg/m	0.723

PARTY'S NAME	FAMELINE ARCHITECTURAL PRODUCTS PVT. LTD., BANGALORE	DRAWING No.	SECTION No.
PARTY'S DRAWING No.	AS PER DRAWING	P-18337	-
ALLOY & TEMPER	6063 T6	E0851	E0851
DESCRIPTION	ARCHITECTURAL SECTION-BAFFLE PANEL		