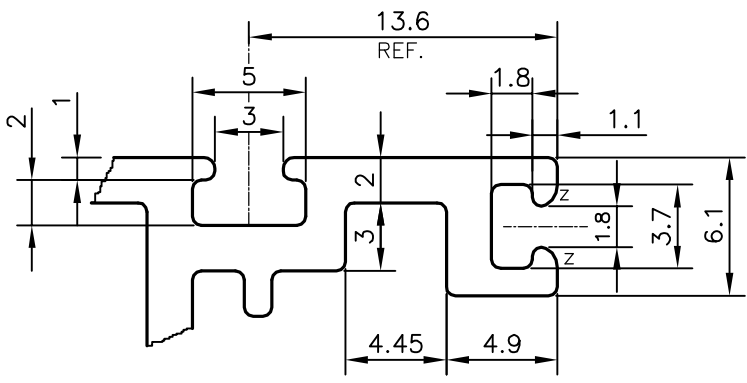
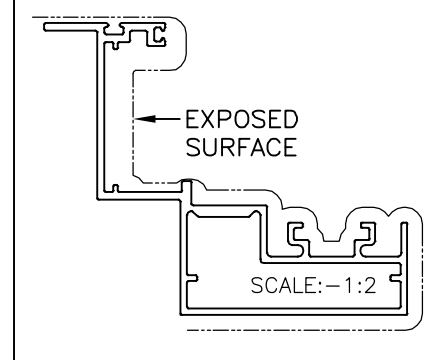
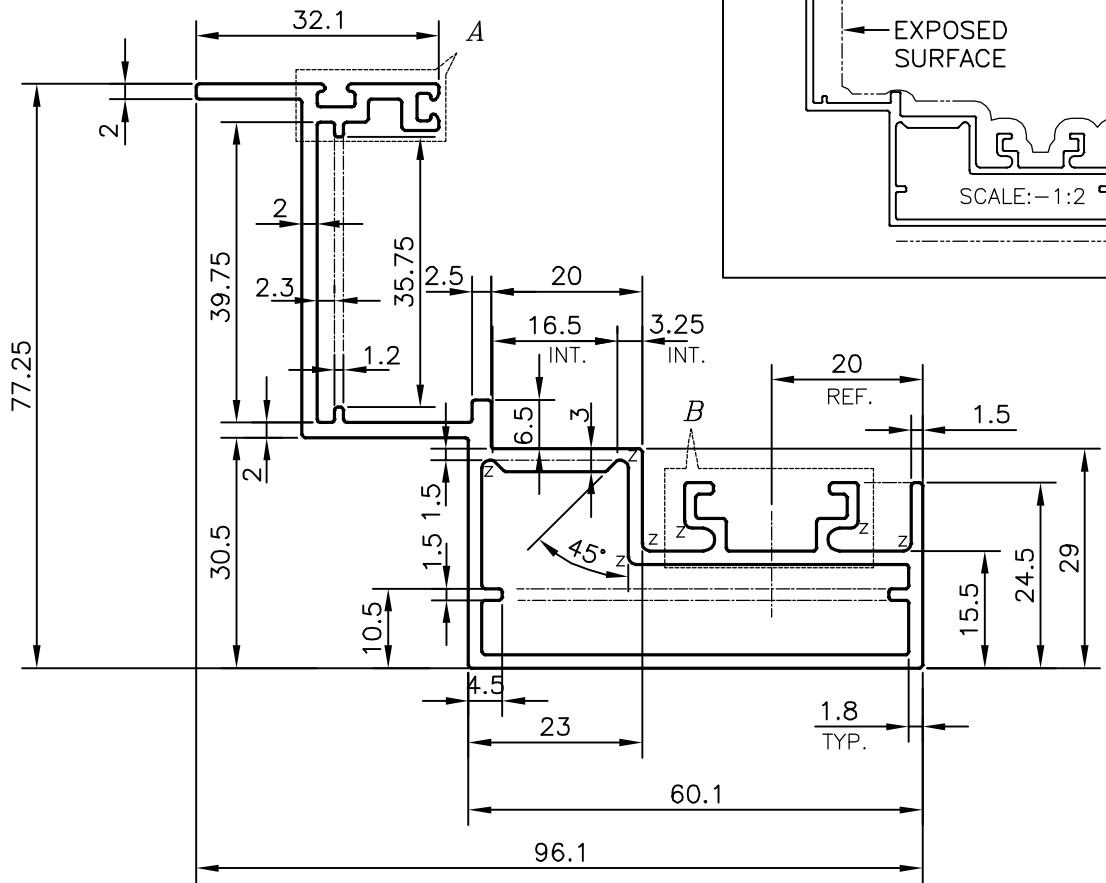
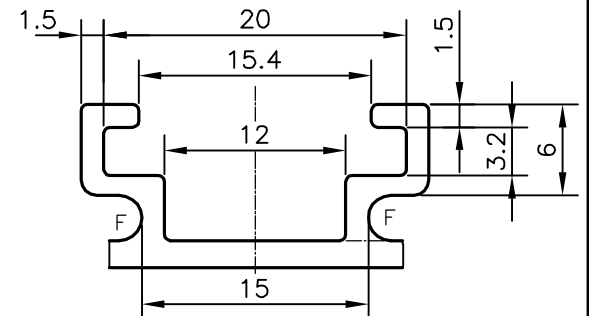


P-18388

E0861



DETAIL OF "A"
SCALE 3:1




DETAIL OF "B"
SCALE 2:1

F = FULL RADIUS (2 PLACES)
X = RADIUS 0.3 mm. (2 PLACES)
Z = RADIUS 1 mm. (9 PLACES)

TOLERANCES ON OVERALL WIDTHS & WIDTHS ACROSS FLATS OF BARS, & REGULAR SECTIONS

UPTO 6.40mm - ±0.20	UPTO 32.0mm - ±0.38	UPTO 120.0mm - ±0.85	1. STRAIGHTNESS=1.0mm/M 2. TWIST=1.0mm/M 3. FLATNESS =0.007xWIDTH
UPTO 10.0mm - ±0.23	UPTO 50.0mm - ±0.46	UPTO 160.0mm - ±1.02	
UPTO 12.0mm - ±0.25	UPTO 60.0mm - ±0.53	UPTO 200.0mm - ±1.14	
UPTO 16.0mm - ±0.28	UPTO 80.0mm - ±0.69	UPTO 250.0mm - ±1.40	
UPTO 25.0mm - ±0.30	UPTO 100.0mm - ±0.75	UPTO 300.0mm - ±1.65	

 SYMBOL OF QUALITY AN ISO 9001 COMPANY	JINDAL ALUMINIUM LTD. BANGALORE-560073 (INDIA)	NAME	DATE
		DRAWN	J.P.KAUSHIK 06-07-2018
		CHECKED	
		APPROVED	B.NATARAJA 14-07-2018
		SCALE	1:1
		AREA mm ²	627.272
		PERIMETER mm.	484.839
		WEIGHT kg/m	1.694
PARTY'S NAME	ALUFIT (INDIA) PRIVATE LIMITED, BANGALORE	DRAWING No.	SECTION No.
PARTY'S DRAWING No.	WTC-DIE-23	P-18388	-
ALLOY & TEMPER	6063 T6	E0861	E0861
DESCRIPTION	CURTAIN WALL SECTION OPENABLE SHUTTER		

1. ALL DIMENSIONS ARE IN mm.
 2. ROUND OFF ALL SHARP CORNERS WITH 0.40 mm.
 3. TOLERANCES WILL BE AS PER IS:6477-1983, UNLESS OTHERWISE SPECIFIED