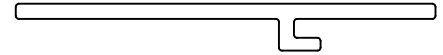
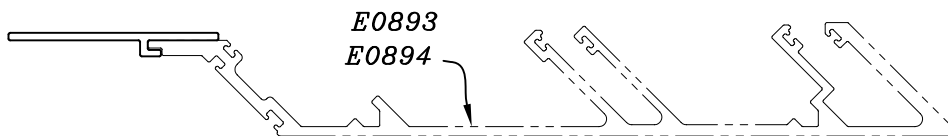
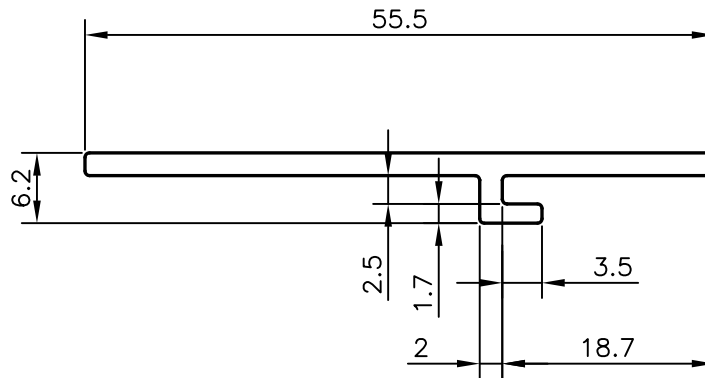


P-18429

E0899



SCALE: - 1:1



SCALE: - 1:2

TOLERANCES ON OVERALL WIDTHS & WIDTHS ACROSS FLATS OF BARS, & REGULAR SECTIONS

UPTO 6.40mm - ± 0.20
 UPTO 10.0mm - ± 0.23
 UPTO 12.0mm - ± 0.25
 UPTO 16.0mm - ± 0.28
 UPTO 25.0mm - ± 0.30

UPTO 32.0mm - ± 0.38
 UPTO 50.0mm - ± 0.46
 UPTO 60.0mm - ± 0.53
 UPTO 80.0mm - ± 0.69
 UPTO 100.0mm - ± 0.75

UPTO 120.0mm - ± 0.85
 UPTO 160.0mm - ± 1.02
 UPTO 200.0mm - ± 1.14
 UPTO 250.0mm - ± 1.40
 UPTO 300.0mm - ± 1.65

1. STRAIGHTNESS=1.0mm/M
2. TWIST=1.0mm/M
3. ANGULARITY= $\pm 1^\circ$
4. FLATNESS =0.007xWIDTH



SYMBOL OF QUALITY
 AN ISO 9001 COMPANY

JINDAL ALUMINIUM LTD.
 BANGALORE-560073 (INDIA)

	NAME	DATE
DRAWN	PARVESH	09-07-2018
CHECKED		
APPROVED	B.NATARAJA	17-07-2018

1. ALL DIMENSIONS ARE IN mm.
2. ROUND OFF ALL SHARP CORNERS WITH 0.4 mm.
3. TOLERANCES WILL BE AS PER IS:3965-1981 , UNLESS OTHERWISE SPECIFIED

SCALE	1.5:1
AREA mm ²	125.213
PERIMETER mm.	128.683
WEIGHT kg/m	0.338

PARTY'S NAME	ALUFIT INDIA PVT. LTD., BANGALORE
PARTY'S DRAWING No.	AS PER AUTOCAD DRAWING-AL-OR2-12
ALLOY & TEMPER	6063 T6
DESCRIPTION	CURTAIN WALL SECTION-EXTERNAL CORNER FEMALE MULLION EDGE GUARD

DRAWING No.	SECTION No.
P-18429	-
E0899	E0899