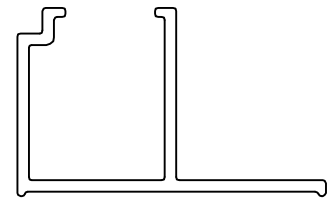
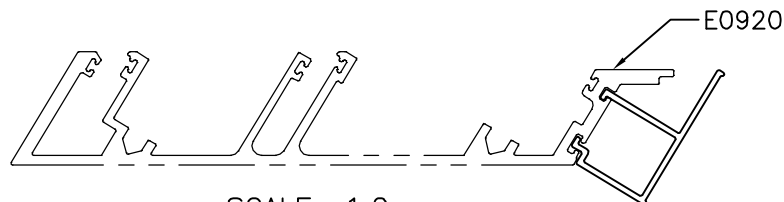
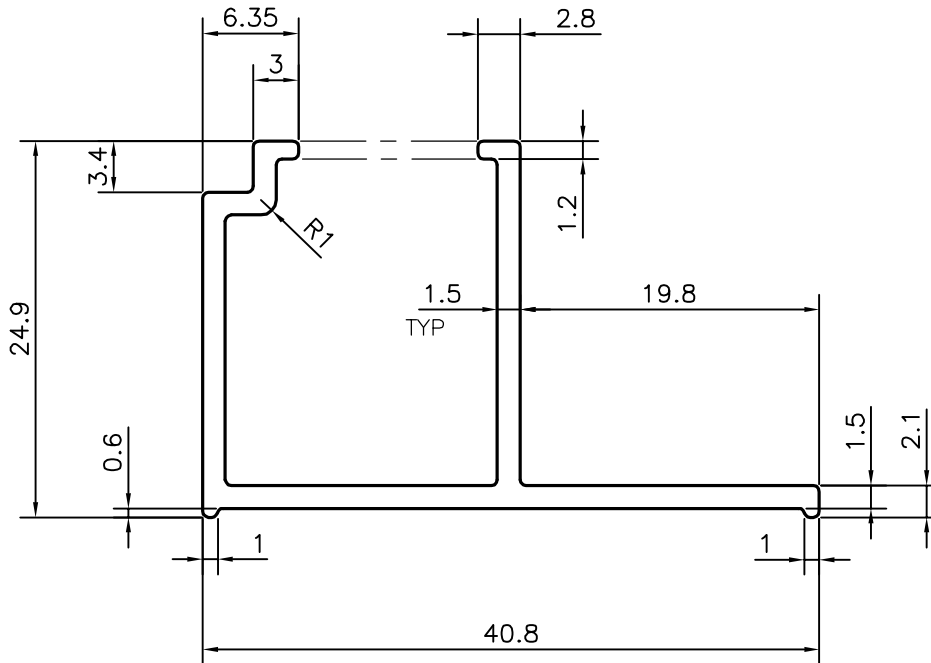


P-18462

E0918



SCALE:- 1:1



SCALE:- 1:2

TOLERANCES ON OVERALL WIDTHS & WIDTHS ACROSS FLATS OF BARS, & REGULAR SECTIONS

UPTO 6.40mm - ±0.20	UPTO 32.0mm - ±0.38	UPTO 120.0mm - ±0.85	<b>1. STRAIGHTNESS=1.0mm/M</b> <b>2. TWIST=1.0mm/M</b> <b>3. ANGULARITY= ±1°</b> <b>4. FLATNESS =0.007xWIDTH</b>
UPTO 10.0mm - ±0.23	UPTO 50.0mm - ±0.46	UPTO 160.0mm - ±1.02	
UPTO 12.0mm - ±0.25	UPTO 60.0mm - ±0.53	UPTO 200.0mm - ±1.14	
UPTO 16.0mm - ±0.28	UPTO 80.0mm - ±0.69	UPTO 250.0mm - ±1.40	
UPTO 25.0mm - ±0.30	UPTO 100.0mm - ±0.75	UPTO 300.0mm - ±1.65	



SYMBOL OF QUALITY  
AN ISO 9001 COMPANY

**JINDAL ALUMINIUM LTD.**  
BANGALORE-560073 (INDIA)

	NAME	DATE
DRAWN	J.P.KAUSHIK	18-07-2018
CHECKED		
APPROVED	B.NATARAJA	23-07-2018

- ALL DIMENSIONS ARE IN mm.
- ROUND OFF ALL SHARP CORNERS WITH 0.4 mm.
- TOLERANCES WILL BE AS PER IS:3965-1981 , UNLESS OTHERWISE SPECIFIED

SCALE	2:1
AREA mm <sup>2</sup>	138.852
PERIMETER mm.	186.512
WEIGHT kg/m	0.375

PARTY'S NAME	ALUFIT INDIA PVT. LTD., BANGALORE
PARTY'S DRAWING No.	AL-OR2-28
ALLOY & TEMPER	6063 T6
DESCRIPTION	EXTERNAL CORNER SPANDREL ADAPTER FOR ACP

DRAWING No.	SECTION No.
P-18462	-
E0918	E0918