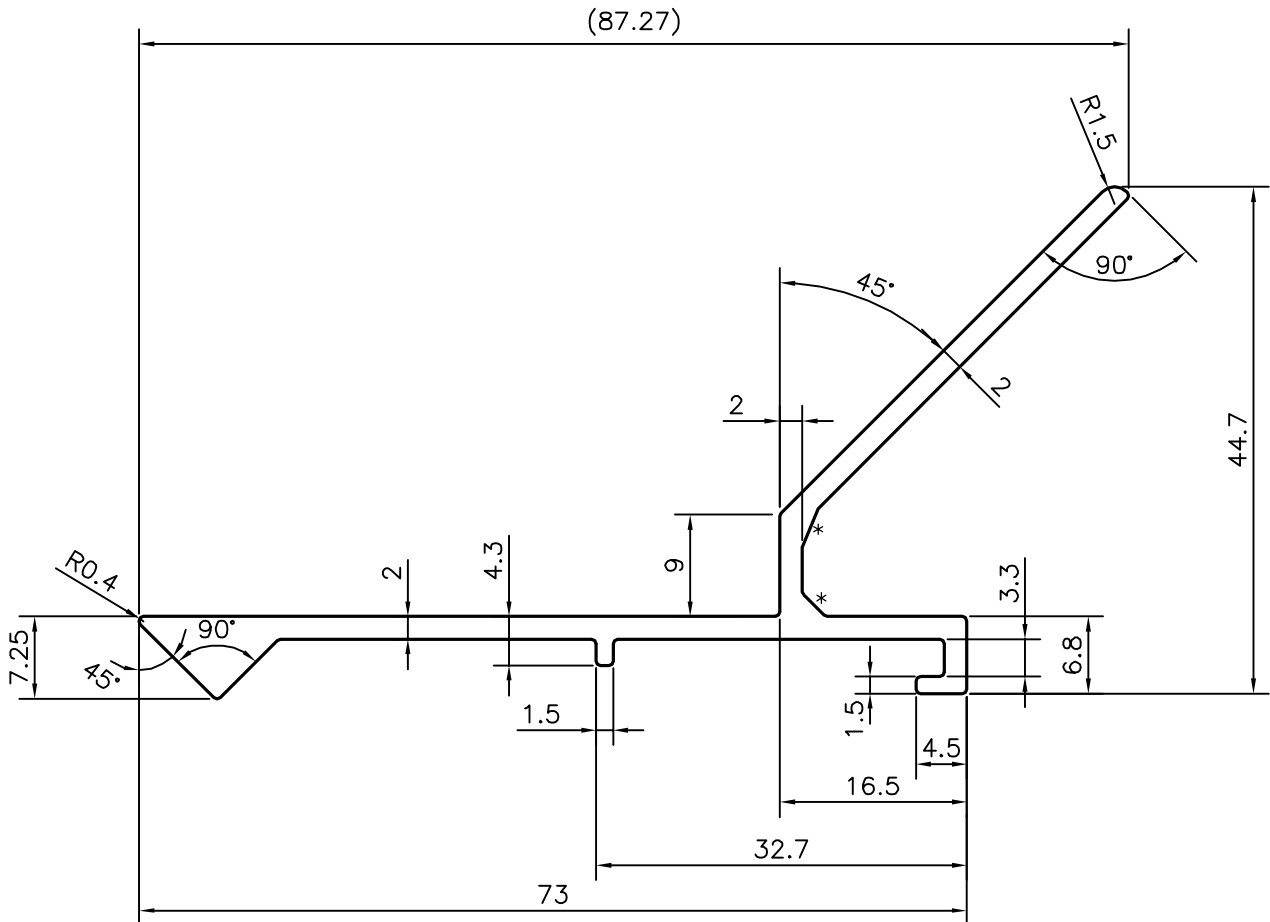
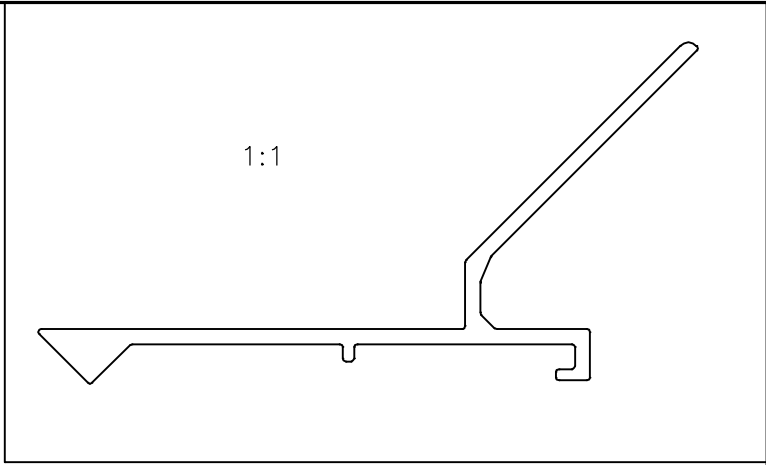


P-18608


E0954



\* = CHAMFER 2x45° (2 PLACES)

TOLERANCES ON OVERALL WIDTHS & WIDTHS ACROSS FLATS OF BARS, & REGULAR SECTIONS

UPTO 6.40mm - ±0.20	UPTO 32.0mm - ±0.38	UPTO 120.0mm - ±0.85	1. STRAIGHTNESS=1.7mm/M 2. TWIST=1.7mm/M 3. ANGULARITY= ±2° 4. FLATNESS =0.007xWIDTH
UPTO 10.0mm - ±0.23	UPTO 50.0mm - ±0.46	UPTO 160.0mm - ±1.02	
UPTO 12.0mm - ±0.25	UPTO 60.0mm - ±0.53	UPTO 200.0mm - ±1.14	
UPTO 16.0mm - ±0.28	UPTO 80.0mm - ±0.69	UPTO 250.0mm - ±1.40	
UPTO 25.0mm - ±0.30	UPTO 100.0mm - ±0.75	UPTO 300.0mm - ±1.65	

 SYMBOL OF QUALITY AN ISO 9001 COMPANY	<b>JINDAL ALUMINIUM LTD.</b> BANGALORE-560073 (INDIA)	DRAWN	J.P.KAUSHIK	DATE	25-08-2018
		CHECKED			
		APPROVED	<b>B.NATARAJA</b>		01-09-2018
1. ALL DIMENSIONS ARE IN mm. 2. ROUND OFF ALL SHARP CORNERS WITH 0.40 mm. 3. TOLERANCES WILL BE AS PER IS:3965-1981 , UNLESS OTHERWISE SPECIFIED		SCALE		1.5:1	
		AREA mm <sup>2</sup>		293.741	
		PERIMETER mm.		268.075	
		WEIGHT kg/m		0.793	
		PARTY'S NAME		ALUFIT (INDIA) PRIVATE LIMITED, BANGALORE	
PARTY'S DRAWING No.		PROFILE-T1/T2-24		SECTION No.	-
ALLOY & TEMPER		6063 T6			E0954
DESCRIPTION		EX. CORNER-MALE MULLION EDGE GUARD			E0954