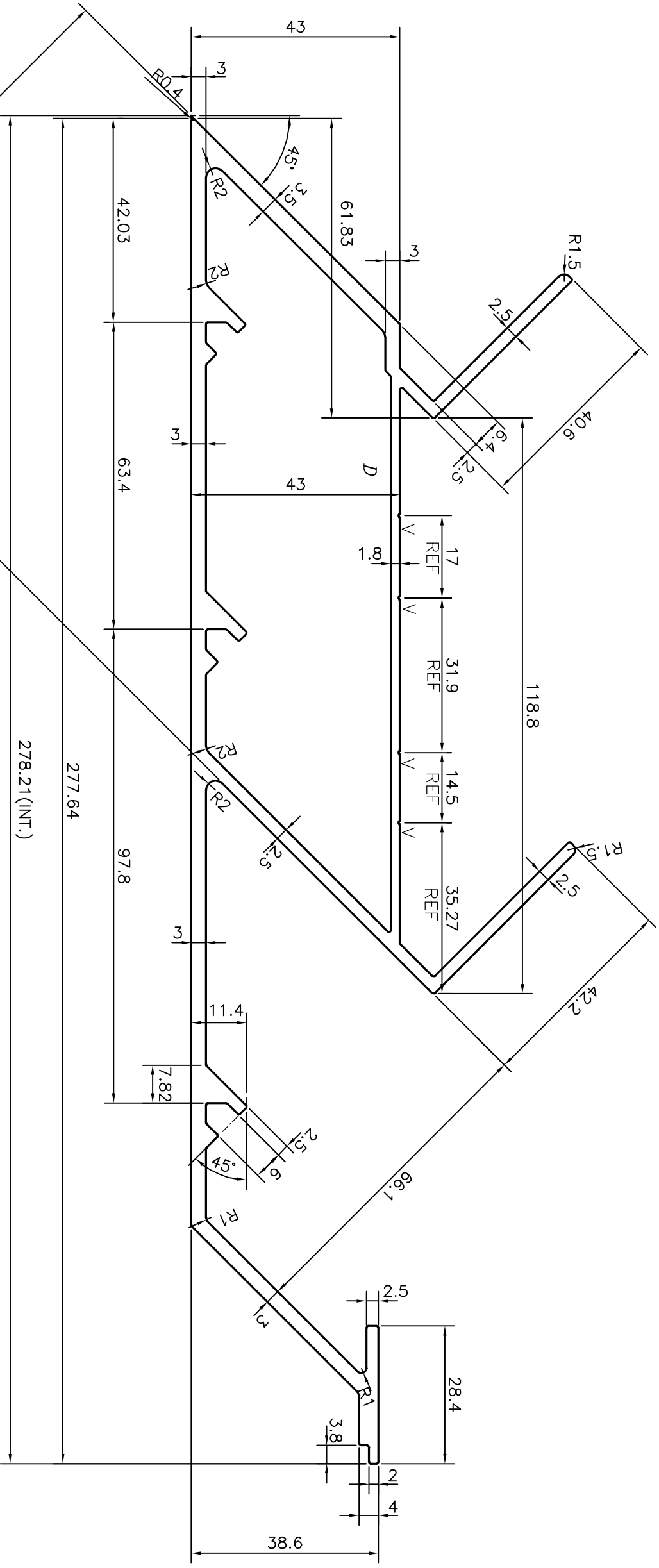


P-18626


E0968



V = VEE GROOVE 0.3x90° (4 PLACES)

TOLERANCES ON OVERALL WIDTHS & WIDTHS ACROSS FLATS OF BARS, & REGULAR SECTIONS

UPTO 6.40mm - ±0.20	UPTO 32.0mm - ±0.38	UPTO 120.0mm - ±0.85
UPTO 10.0mm - ±0.23	UPTO 50.0mm - ±0.46	UPTO 160.0mm - ±1.02
UPTO 12.0mm - ±0.25	UPTO 60.0mm - ±0.53	UPTO 200.0mm - ±1.14
UPTO 16.0mm - ±0.28	UPTO 80.0mm - ±0.69	UPTO 250.0mm - ±1.40
UPTO 25.0mm - ±0.30	UPTO 100.0mm - ±0.75	UPTO 300.0mm - ±1.65

 <p><b>JINDAL ALUMINIUM LTD.</b> BANGALORE-560073 (INDIA)</p>		<p>1. STRAIGHTNESS=1.7mm/M</p> <p>2. TWIST=1.7mm/M</p> <p>3. ANGULARITY= ±2°</p> <p>4. FLATNESS =0.007xWIDTH</p>	
DRAWN	J.P.KAUSHIK	DATE	30-08-2018
CHECKED			
APPROVED	B.NATARAJA		01-09-2018

1. ALL DIMENSIONS ARE IN mm.  
 2. ROUND OFF ALL SHARP CORNERS WITH 0.40 mm.  
 3. TOLERANCES WILL BE AS PER IS:6477-1983, UNLESS OTHERWISE SPECIFIED

PARTY'S NAME	ALUFIT (INDIA) PRIVATE LIMITED, BANGALORE
PARTY'S DRAWING No.	PROFILE-T1/T2-22
ALLOY & TEMPER	6063 T6
DESCRIPTION	EX.CORNER MALE MULLION SECTION

