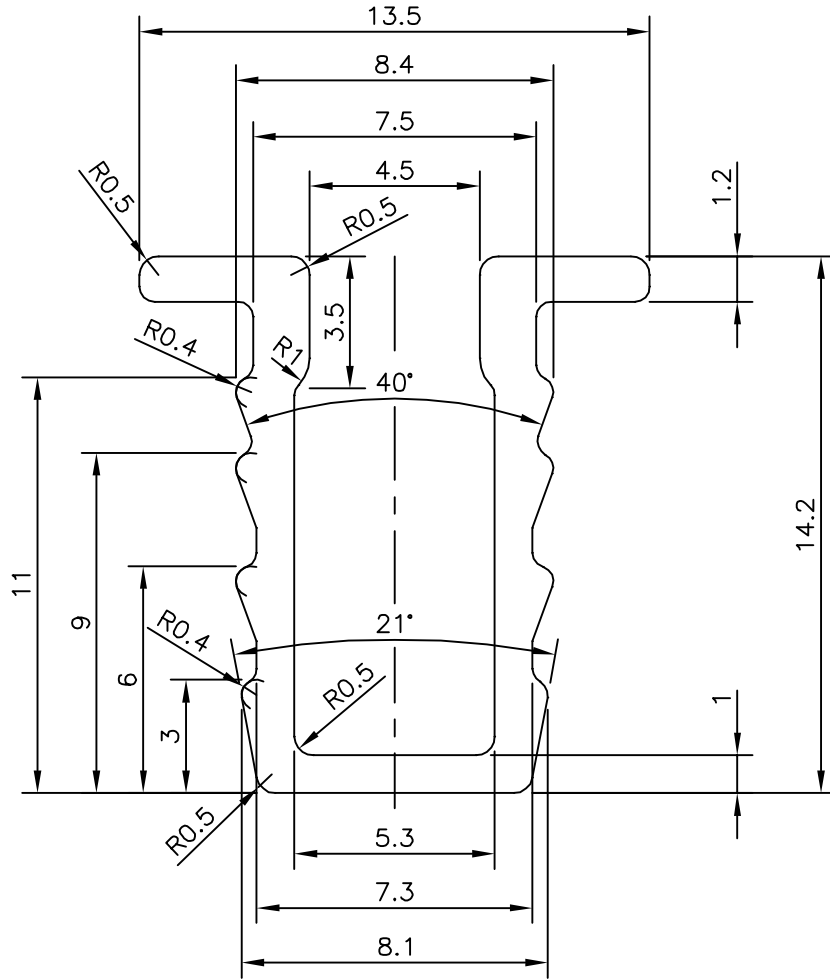
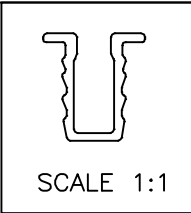


P-7843
X762
17665
E0976



<p>SYMBOL OF QUALITY AN ISO 9001 COMPANY</p>	<p>JINDAL ALUMINIUM LTD. BANGALORE-560073 (INDIA)</p>	NAME		DATE
		DRAWN	PRASANN. H	14-01-2008
<p>1. ALL DIMENSIONS ARE IN mm. 2. ROUND OFF ALL SHARP CORNERS WITH 0.40 mm. 3. TOLERANCES WILL BE AS PER IS:3965-1981 UNLESS OTHERWISE SPECIFIED</p>		CHECKED		
		APPROVED		
<p>PARTY'S NAME</p>		SCALE		5:1
		AREA mm ²		49.116
<p>PARTY'S DRAWING No.</p>		PERIMETER mm.		82.261
		WEIGHT kg/m		0.133
<p>ALLOY & TEMPER</p>		DRAWING No.	SECTION No.	
		P-7843	-	
<p>DESCRIPTION</p>		X762	X762	
		17665	17665	
<p>MISC. SECTION</p>		E0976	E0976	