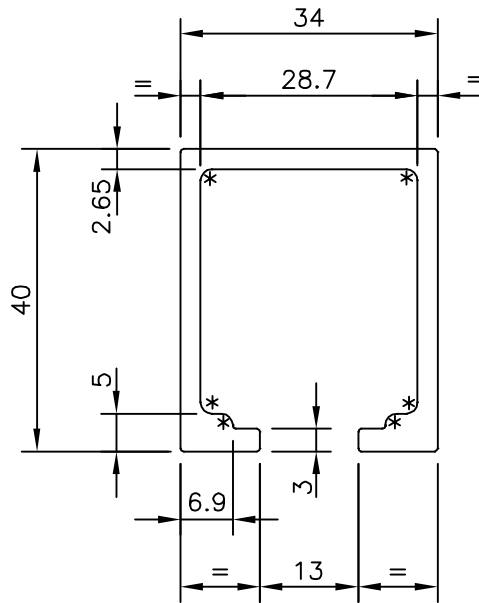



P-6851
X650
17662
E0978



* = RADIUS 1.5 mm (6 PLACES)

 SYMBOL OF QUALITY AN ISO 9002 COMPANY	JINDAL ALUMINIUM LTD. BANGALORE-560073 (INDIA)	NAME	DATE
		DRAWN	J.P.KAUSHIK 17-11-2006
1. ALL DIMENSIONS ARE IN mm. 2. ROUND OFF ALL SHARP CORNERS WITH 0.40 mm. 3. TOLERANCES WILL BE AS PER IS:3965-1981 UNLESS OTHERWISE SPECIFIED		CHECKED	
		APPROVED	
PARTY'S NAME HAFELE INDIA (P) LTD., RAIGAD		SCALE	1:1
		AREA mm ²	352.915
PARTY'S DRAWING No. AS PER SAMPLE		PERIMETER mm.	248.52
		WEIGHT kg/m	0.953
ALLOY & TEMPER 6005 T6		DRAWING No.	SECTION No.
		P-6851	-
DESCRIPTION MISC. CHANNEL		X650	X650
		17662	17662
		E0978	E0978