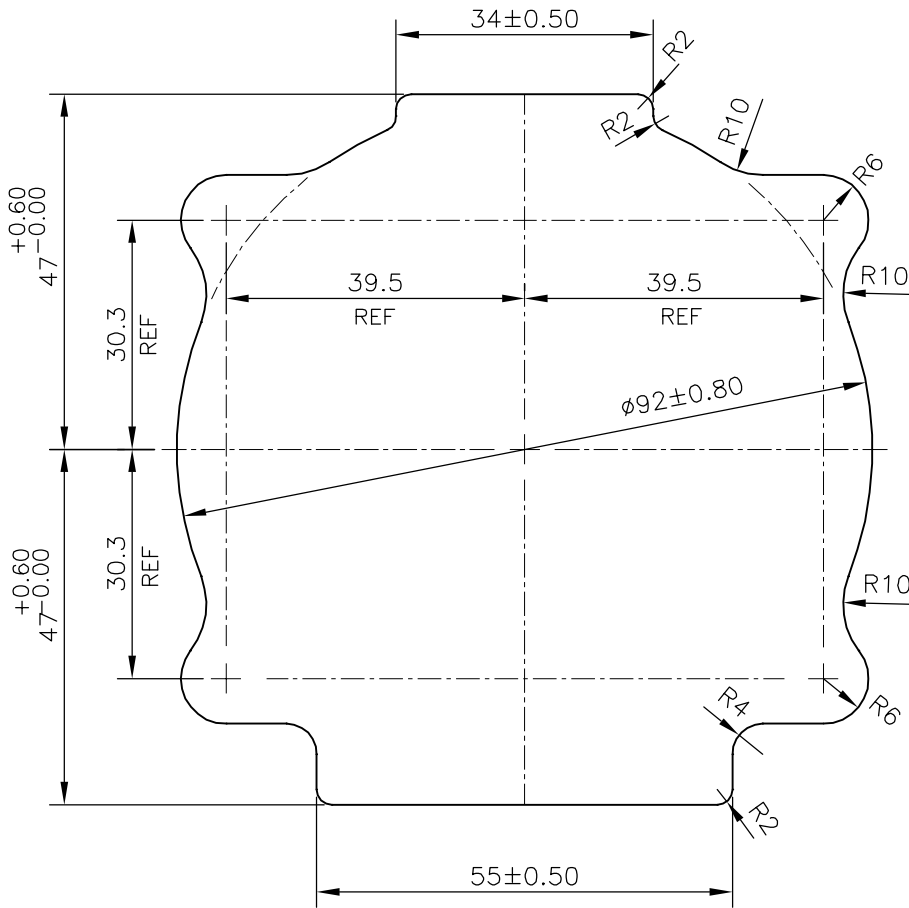


P-18785-1

E0998



SYMBOL OF QUALITY  
AN ISO 9001 COMPANY

**JINDAL ALUMINIUM LTD.**  
BANGALORE-560073 (INDIA)

	NAME	DATE
DRAWN	J.P.KAUSHIK	09-01-2019
CHECKED		
APPROVED	B.NATARAJA	31-01-2019
SCALE		1:1
AREA mm <sup>2</sup>		7459.404
PERIMETER mm.		347.361
WEIGHT kg/m		20.14
DRAWING No.	SECTION No.	
P-18785-1	-	
E0998	E0998	

1. ALL DIMENSIONS ARE IN mm.
2. ROUND OFF ALL SHARP CORNERS WITH 0.40 mm.
3. TOLERANCES WILL BE AS PER DIN:EN-755-9 , UNLESS OTHERWISE SPECIFIED

PARTY'S NAME	PR KEDARNATH MULTI COMPONENTS., BANGALORE
PARTY'S DRAWING No.	AS PER DRAWING
ALLOY & TEMPER	6061 T6
DESCRIPTION	PUMP COVER SECTION