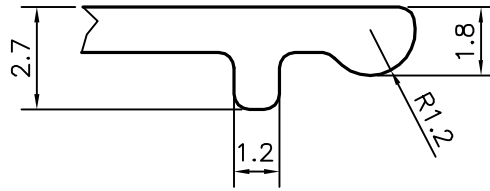
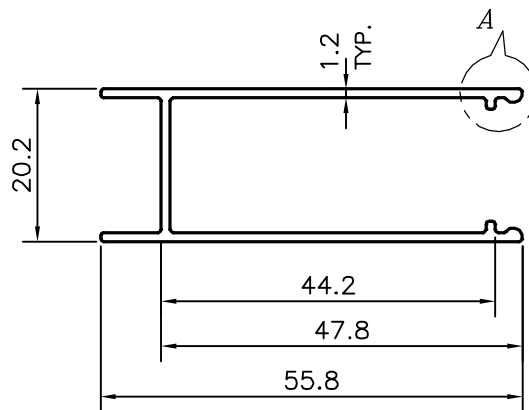


P-18957-1

E0999



DETAIL OF "A"
SCALE 5:1



SYMBOL OF QUALITY
AN ISO 9001 COMPANY

JINDAL ALUMINIUM LTD.
BANGALORE-560073 (INDIA)

	NAME	DATE
DRAWN	DARPAN	10-01-2019
CHECKED		
APPROVED	B.NATARAJA	06-02-2019
SCALE		1:1
AREA mm ²		160.508
PERIMETER mm.		264.601
WEIGHT kg/m		0.433
DRAWING No.	SECTION No.	
P-18957-1	-	
E0999	E0999	

1. ALL DIMENSIONS ARE IN mm.
2. ROUND OFF ALL SHARP CORNERS WITH 0.40 mm.
3. TOLERANCES WILL BE AS PER IS:3965-1981 , UNLESS OTHERWISE SPECIFIED

PARTY'S NAME	MAC LIFESYLE PRODUCT LTD, NEW DELHI
PARTY'S DRAWING No.	AS PER SAMPLE & REQUIREMENT
ALLOY & TEMPER	6063 T6
DESCRIPTION	ARCHITECTURAL SECTION