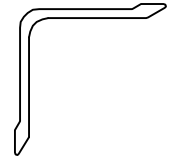
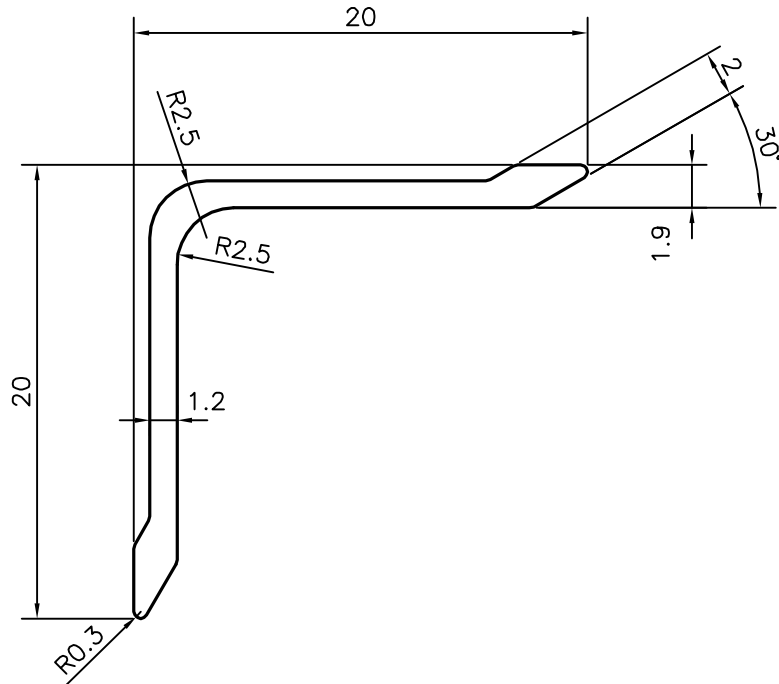


P-18959

E1004



SCALE: - 1:1



SYMBOL OF QUALITY  
AN ISO 9001 COMPANY

**JINDAL ALUMINIUM LTD.**  
BANGALORE-560073 (INDIA)

	NAME	DATE
DRAWN	DARPAN	15-12-2018
CHECKED		
APPROVED	B.NATARAJA	18-02-2019
SCALE		3:1
AREA mm <sup>2</sup>		46.605
PERIMETER mm.		74.389
WEIGHT kg/m		0.126
DRAWING No.	SECTION No.	
P-18959	-	
E1004	E1004	

1. ALL DIMENSIONS ARE IN mm.
2. ROUND OFF ALL SHARP CORNERS WITH 0.40 mm.
3. TOLERANCES WILL BE AS PER IS:3965-1981 , UNLESS OTHERWISE SPECIFIED

PARTY'S NAME	SURFACES., BANGALORE
PARTY'S DRAWING No.	AS PER AUTOCAD DRAWING
ALLOY & TEMPER	6063 T6
DESCRIPTION	ANGLE-MISC.