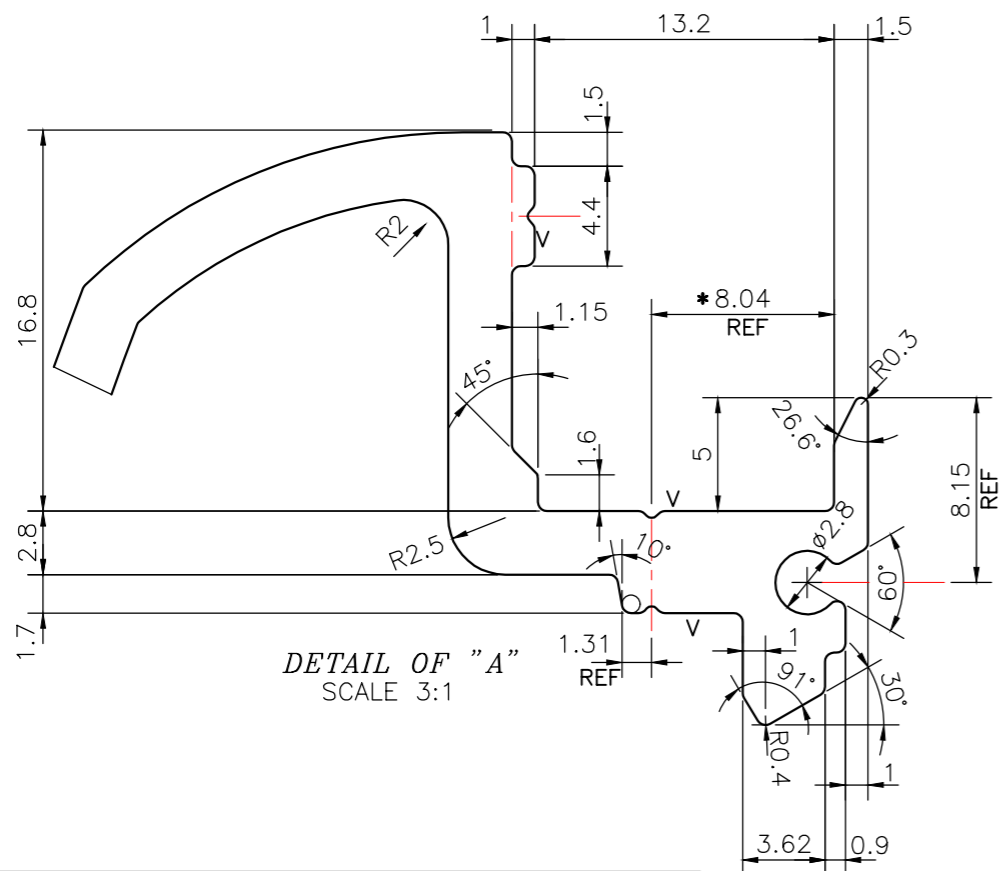


**\* = MARKED CRITICAL DIMENSIONS**

**CONTROLLED COPY**



V= GROOVE 0.3x90° (11 PLACE)

1. STRAIGHTNESS=1.7mm/M
2. TWIST=1.7mm/M
3. ANGULARITY= ±2°
4. FLATNESS = 0.007xWIDTH

PLEASE NOTE:-  
 - DUE TO THICKNESS VARIATION IMPRESSION MARK MAY APPEAR IN THIS MARKED PORTION.

FINISH :-POWDER COATING  
 100% MANUAL CORRECTION REQUIRED

<p>SYMBOL OF QUALITY AN ISO 9001 COMPANY</p>	<p><b>JINDAL ALUMINIUM LTD.</b> BANGALORE-560073 (INDIA)</p>	NAME	DATE
		DRAWN	J.P.KAUSHIK 01-02-2023
<p>1. ALL DIMENSIONS ARE IN mm.          2. ROUND OFF ALL SHARP CORNERS WITH 0.40 mm.          3. TOLERANCES WILL BE AS PER IS:3965-1981 UNLESS OTHERWISE SPECIFIED</p>		CHECKED	
		APPROVED	B.NATARAJA 14-02-2023
<p>PARTY'S NAME EUBIQ HEALTHCARE &amp; LIGHTING CO., GURURAM</p>		SCALE	1:1
		AREA mm <sup>2</sup>	1323.263
<p>PARTY'S DRAWING No. EHLC-HP-006-00</p>		PERIMETER mm.	911.109
		WEIGHT kg/m	3.573
<p>ALLOY &amp; TEMPER 6063 T6</p>		DRAWING No.	SECTION No.
		P-24865-1	7000000844
<p>DESCRIPTION INDUSTRIAL SECTION</p>		E100697	E100697
		PRODUCT CODE:-085	
		HSN CODE:-76042990	

