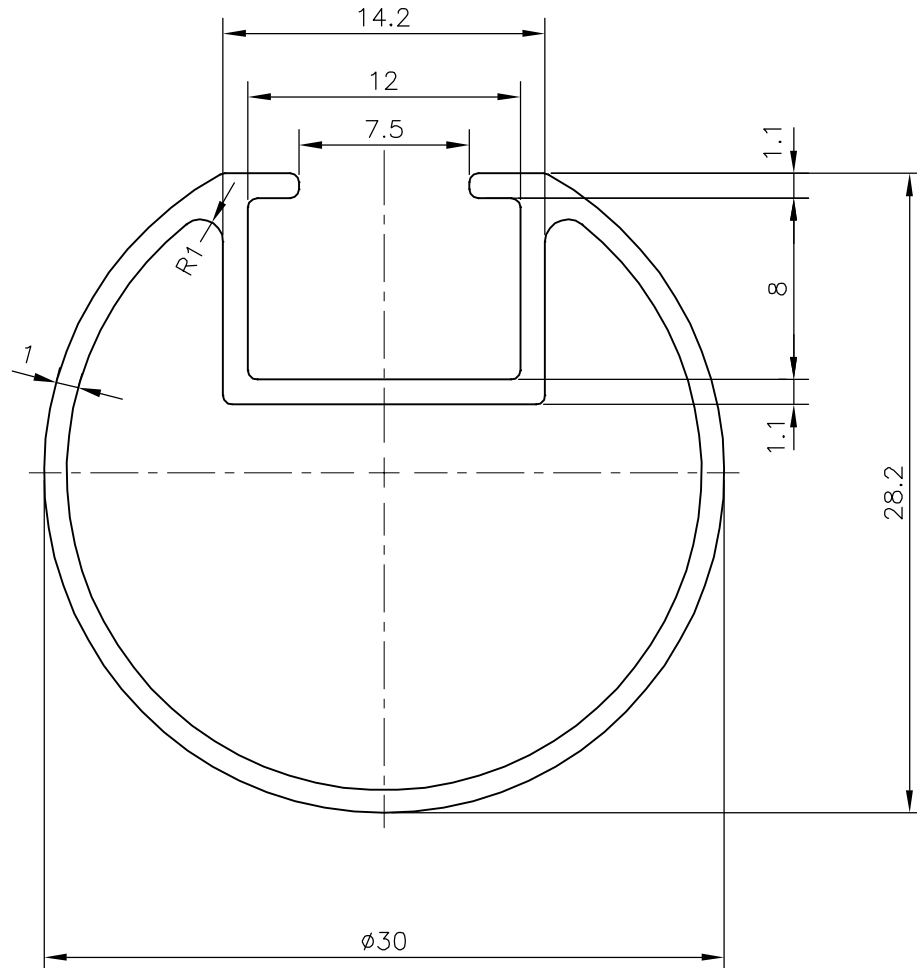
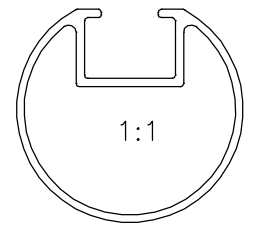


P-19191

E1015



SYMBOL OF QUALITY
AN ISO 9001 COMPANY

JINDAL ALUMINIUM LTD.
BANGALORE-560073 (INDIA)

	NAME	DATE
DRAWN	J.P.KAUSHIK	21-02-2019
CHECKED		
APPROVED	B.NATARAJA	23-02-2019
SCALE		3:1
AREA mm ²		118.496
PERIMETER mm.		119.467
WEIGHT kg/m		0.320
DRAWING No.	SECTION No.	
P-19191	-	
E1015	E1015	

1. ALL DIMENSIONS ARE IN mm.
2. ROUND OFF ALL SHARP CORNERS WITH 0.40 mm.
3. TOLERANCES WILL BE AS PER IS:6477-1983 UNLESS OTHERWISE SPECIFIED

PARTY'S NAME	FLOOR JINNI, BANGALORE
PARTY'S DRAWING No.	AS PER DRAWING
ALLOY & TEMPER	6063 T6
DESCRIPTION	MISC. SECTION