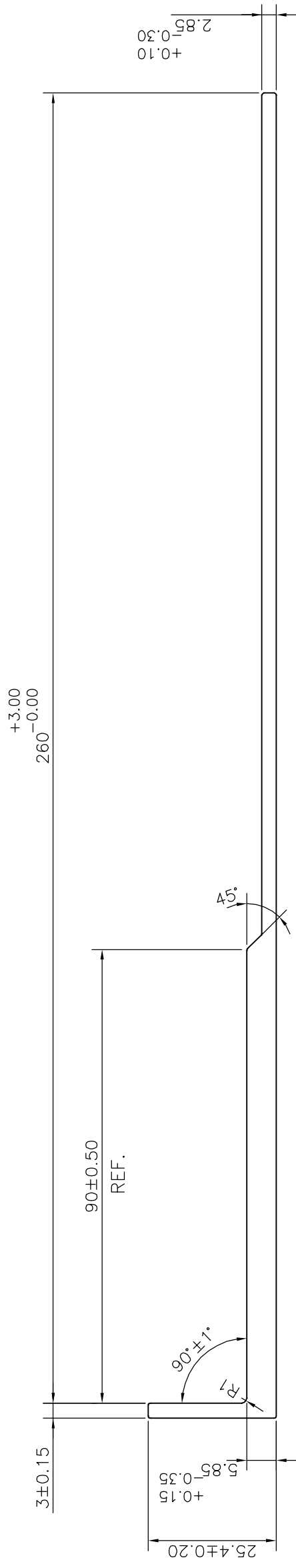
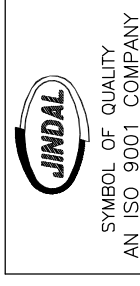


P-19205-1

E1022



FLATNESS: - 1.2mm ON WIDTH



JINDAL ALUMINIUM LTD.
 BANGALORE-560073 (INDIA)

1. ALL DIMENSIONS ARE IN mm.
 2. ROUND OFF ALL SHARP CORNERS WITH 0.40 mm.
 3. TOLERANCES WILL BE AS PER IS:3965-1981 UNLESS OTHERWISE SPECIFIED

PARTY'S NAME
 AQ MECHANICAL & ELECTRICAL MFG INDIA
 PVT. LTD., PUNE

PARTY'S DRAWING No.
 TRV2065207000

ALLOY & TEMPER
 6060 T6

DESCRIPTION
 LATERAL PROFILE 260-UNEQUAL ANGLE

DRAWN	J.P.KAUSHIK	NAME		DATE	11-03-2019
CHECKED					
APPROVED	B.NATARAJA				28-03-2019
SCALE					1:1
AREA	mm ²				1091.743
PERIMETER	mm.				573.721
WEIGHT	kg/m				2.948
DRAWING No.					SECTION No.
P-19205-1					-
E1022					E1022