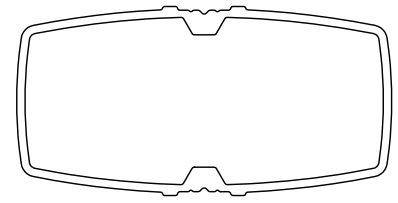
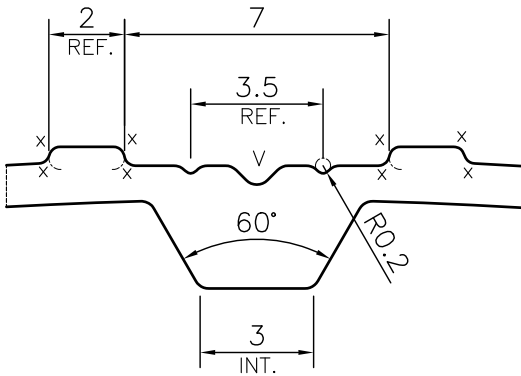
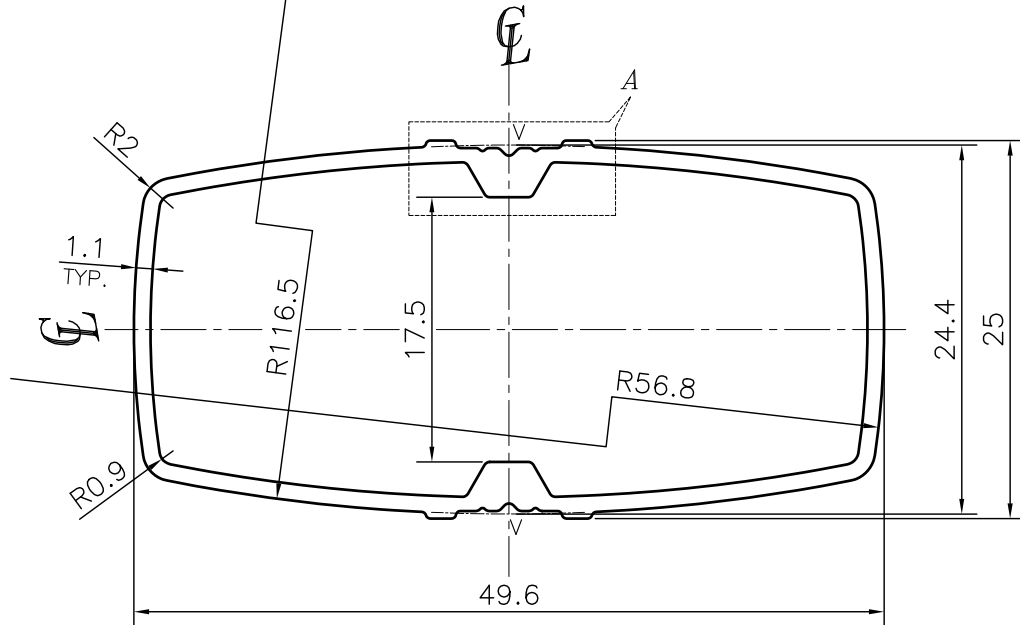


P-JAL-B-398

E102366



SCALE: - 1:1



DETAIL OF "A"  
SCALE 5:1

V = VEE GROOVE 0.5x90° (2 PLACES)  
X = RADIUS 0.3 mm. (16 PLACES)

- 1. STRAIGHTNESS= 1.7mm/M
- 2. TWIST= 1.7mm/M
- 3. ANGULARITY= ±2°
- 4. FLATNESS= 0.007xWIDTH

Q01110

CONTROLLED COPY



SYMBOL OF QUALITY  
AN ISO 9001 COMPANY

**JINDAL ALUMINIUM LTD.**  
BHIWADI-301019

	NAME	DATE
DRAWN	ASHUTOSH	05-12-2023
CHECKED	PARVESH	15-06-2024
APPROVED	N.K.HOLEY	15-06-2024
SCALE		2:1
AREA mm <sup>2</sup>		163.526
PERIMETER mm.		137.148
WEIGHT kg/m		0.442
DRAWING No.		SECTION No.
P-JAL-B-398		7000002543
E102366		E102366

- 1. ALL DIMENSIONS ARE IN mm.
- 2. ROUND OFF ALL SHARP CORNERS WITH 0.40 mm.
- 3. TOLERANCES WILL BE AS PER BS: EN-755-9 , UNLESS OTHERWISE SPECIFIED

PARTY'S NAME	ADARSH ALUMINIUM WORKS	
PARTY'S DRAWING No.	AS PER DRAWING	
ALLOY & TEMPER	6063 T6	PRODUCT CODE:-049
		HSN CODE:- 76042100
DESCRIPTION	VENETIAN BLINDS SECTION	