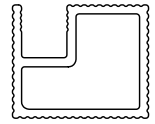
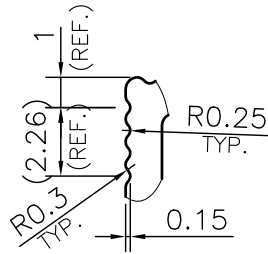


P-JAL-B-714

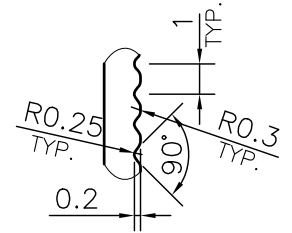
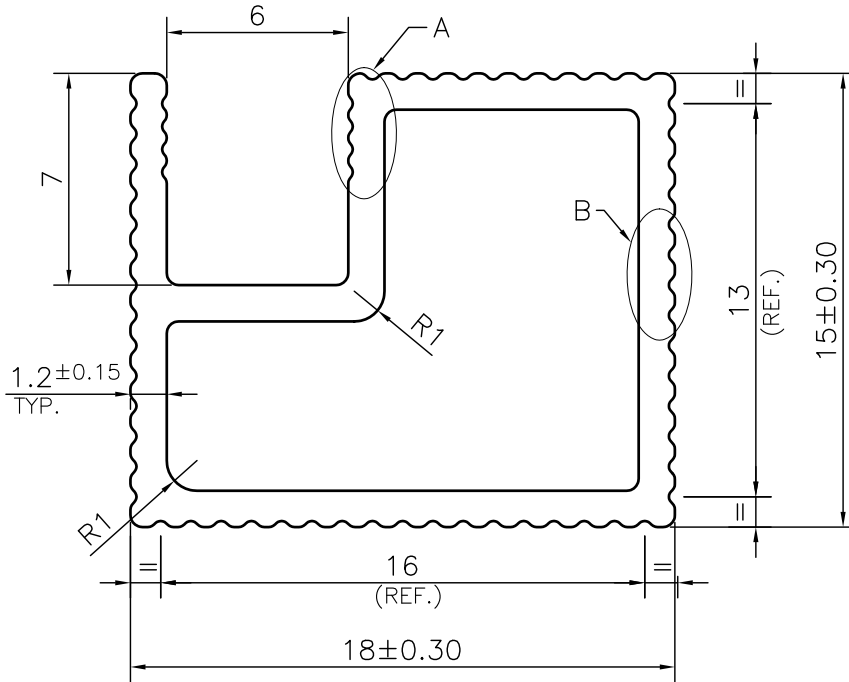
E102710



SCALE 1:1



DETAIL A
SCALE 4:1



DETAIL B
SCALE 4:1

TOLERANCE CHART CD = CIRCUMSCRIBING CIRCLE

DIMENSION	CD<100	100<CD<200	200<CD<300	300<CD<500
UPTO 10mm	±0.25	±0.30	±0.35	±0.40
10.0 - 25.0	±0.30	±0.40	±0.50	±0.60
25.0 - 50.0	±0.50	±0.60	±0.80	±0.90
50.0 - 100	±0.70	±0.90	±1.10	±1.30
100 - 150	-	±1.10	±1.30	±1.50
150 - 200	-	±1.3	±1.50	±1.80
200 - 300	-	-	±1.70	±2.10
300 - 450	-	-	-	±2.80

Q02184

CONTROLLED COPY

1. STRAIGHTNESS= 1.7mm/M
2. TWIST= 1.7mm/M
3. ANGULARITY= ±2°
4. FLATNESS= 0.007xWIDTH



SYMBOL OF QUALITY
AN ISO 9001 COMPANY

JINDAL ALUMINIUM LTD.
BHIWADI-301019 (INDIA)

	NAME	DATE
DRAWN	ASHUTOSH	23-08-2024
CHECKED	PARVESH	02-09-2024
APPROVED	J.N.RAI	02-09-2024
SCALE		4:1
AREA mm ²		76.859
PERIMETER mm.		85.753
WEIGHT kg/m		0.208
DRAWING No.	SECTION No.	
P-JAL-B-714	7000002914	
E102710	E102710	

1. ALL DIMENSIONS ARE IN mm.
2. ROUND OFF ALL SHARP CORNERS WITH 0.40 mm.
3. TOLERANCES WILL BE AS PER BS:EN-755-9, UNLESS OTHERWISE SPECIFIED

PARTY'S NAME	RANJAN KHOSLA & SONS PVT LTD	
PARTY'S DRAWING No.	AS PER PROPOSAL DRAWING	
ALLOY & TEMPER	6063 T6	PRODUCT CODE:-050
		HSN CODE:- 76042100
DESCRIPTION	KITCHEN CABINET SECTION	