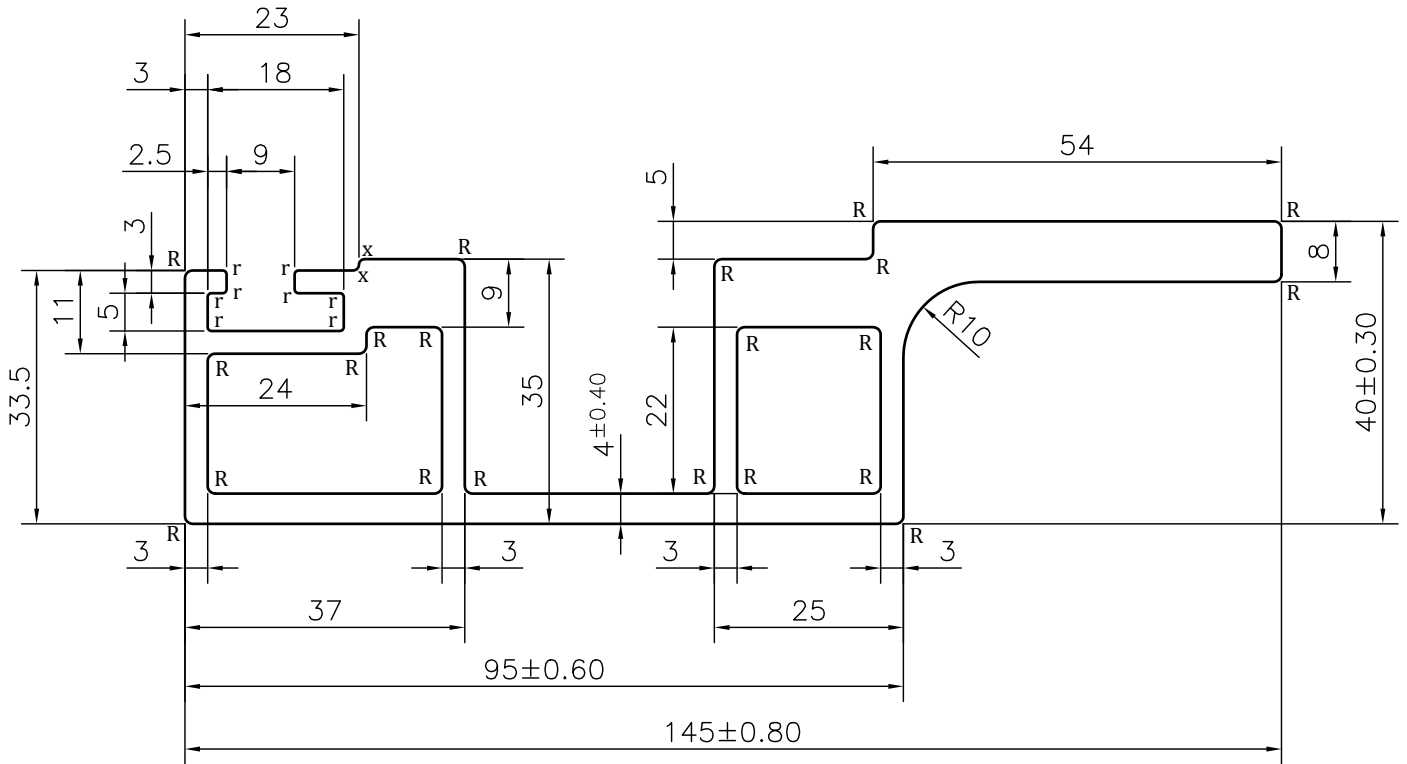


P-JAL-B-784-1

E102990



NOTE:-

- r= 0.50 RADIUS (8 PLACES)**
- x= 0.75 RADIUS (2 PLACES)**
- R= 1.0 RADIUS (21 PLACES)**

1. STRAIGHTNESS= 1.0mm/M
2. TWIST= 1.0mm/M
3. ANGULARITY= ±2°
4. FLATNESS= 0.007xWIDTH

Q02217

CONTROLLED COPY



SYMBOL OF QUALITY
AN ISO 9001 COMPANY

JINDAL ALUMINIUM LTD.
BHIWADI-301019 (INDIA)

	NAME	DATE
DRAWN	ASHUTOSH	21-10-2024
CHECKED	PARVESH	02-11-2024
APPROVED	J.N.RAI	02-11-2024

1. ALL DIMENSIONS ARE IN mm.
2. ROUND OFF ALL SHARP CORNERS WITH 0.40 mm.
3. TOLERANCES WILL BE AS PER EN 12020-2 , UNLESS OTHERWISE SPECIFIED

SCALE	1:1
AREA mm ²	1566.104
PERIMETER mm.	454.626
WEIGHT kg/m	4.228

PARTY'S NAME	SIDWAL REFRIGERATION INDIA PVT. LTD.	
PARTY'S DRAWING No.	AS PER DRAWING -GL01387	
ALLOY & TEMPER	6063 T5	PRODUCT CODE:-082
		HSN CODE:- 76042100
DESCRIPTION	REFRIGERATION SECTION	

DRAWING No.	SECTION No.
P-JAL-B-784-1	7000003213
E102990	E102990