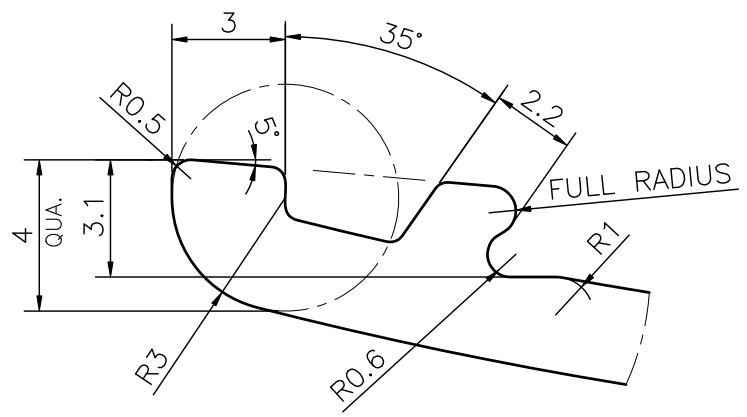
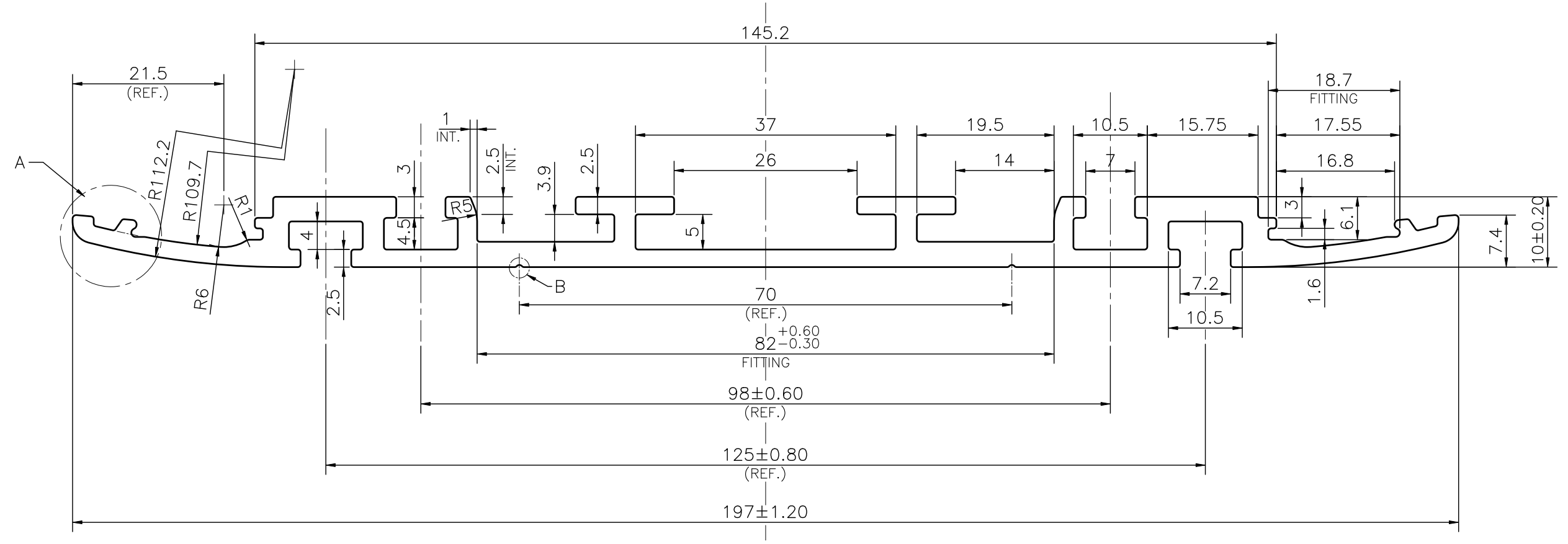
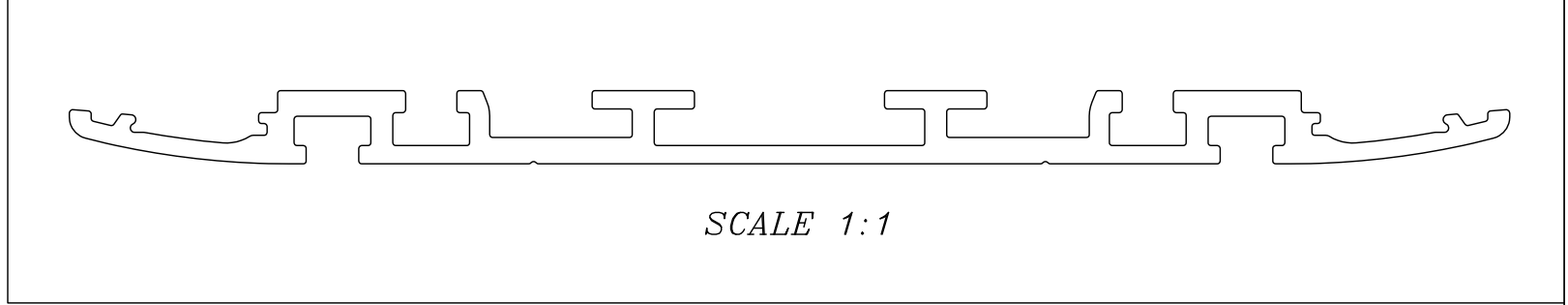
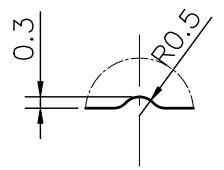


P-JAL-B-796  
E103154



DETAIL A  
SCALE 5:1



DETAIL B  
SCALE 5:1

1. STRAIGHTNESS= 1.7mm/M
2. TWIST= 1.7mm/M
3. ANGULARITY= ±2°
4. FLATNESS= 0.007xWIDTH

Q02434		CONTROLLED COPY		NAME		DATE		
 SYMBOL OF QUALITY AN ISO 9001 COMPANY		<b>JINDAL ALUMINIUM LTD.</b> BHIWADI-301019 (INDIA)		DRAWN	ASHUTOSH	24-10-2024		
				CHECKED	PARVESH	23-11-2024		
1. ALL DIMENSIONS ARE IN mm. 2. ROUND OFF ALL SHARP CORNERS WITH 0.40 mm. 3. TOLERANCES WILL BE AS PER BS:EN-755-9 , UNLESS OTHERWISE SPECIFIED				APPROVED	J.N.RAI	23-11-2024		
				SCALE		1.5:1		
PARTY'S NAME				SHOLPHIN INDIA, FARIDABAD		AREA mm <sup>2</sup>		850.404
				PARTY'S DRAWING No.		AS PER SAMPLE/DRAWING-D027.10001.01.3		PERIMETER mm.
ALLOY & TEMPER				6063 T5		WEIGHT kg/m		2.296
				DESCRIPTION		ELECTRONICS SECTION		DRAWING No.
PRODUCT CODE:-079 HSN CODE:- 76042990				P-JAL-B-796		7000003346		
				E103154		E103154		